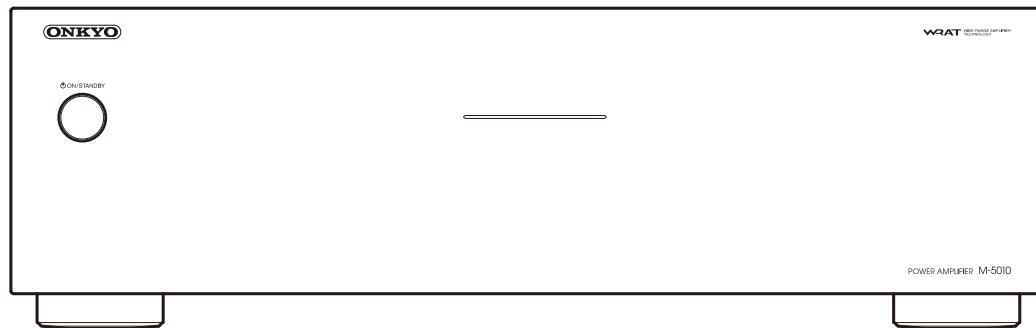


ONKYO® SERVICE MANUAL


POWER AMPLIFIER MODEL M-5010(B)



Black model

B MDC	120V AC, 60Hz
-------	---------------

SAFETY-RELATED COMPONENT WARNING!!

COMPONENTS IDENTIFIED BY MARK  ON THE SCHEMATIC DIAGRAM AND IN THE PARTS LIST ARE CRITICAL FOR RISK OF FIRE AND ELECTRIC SHOCK. REPLACE THESE COMPONENTS WITH ONKYO PARTS WHOSE PART NUMBERS APPEAR AS SHOWN IN THIS MANUAL.

MAKE LEAKAGE-CURRENT OR RESISTANCE MEASUREMENTS TO DETERMINE THAT EXPOSED PARTS ARE ACCEPTABLY INSULATED FROM THE SUPPLY CIRCUIT BEFORE RETURNING THE APPLIANCE TO THE CUSTOMER.

Onkyo Corporation
Service Department

Service Procedure

1. Setting for shipping
 - 1-1. Initialization of memories

[A-9050, A-9030]
Push PURE DIRECT button and Standby at same time.
 - 1-2. Initial setting

[A-9050, A-9030]
SELECTOR
SPEAKERS
BASS
TREBLE
BALANCE
VOLUME
PURE DIRECT
RI MODE
4ohm/8ohm
Auto Standby

[M-5010, ADM-20.4]
Input Level
12Vtrg or Audio
4ohm/8ohm
Auto Standby

1. 出荷ポジション
 - 1-1. イニシャルイズの方法

【A-9050, A-9030】
PURE DIRECTボタンとStandbyボタンを同時に押す
 - 1-2. 出荷ポジション

【A-9050, A-9030】
SELECTOR
SPEAKERS
BASS
TREBLE
BALANCE
VOLUME
PURE DIRECT
RI MODE
4Ω/8Ω
Auto Standby

【M-5010, ADM-20.4】
Input Level
12Vtrg or Audio
4Ω/8Ω

Operation Check - 1

- 1-1. Confirm Relay operation
- Confirm that the relay of SP A and the relay of SP B operate normally respectively by SPEAKER A/B TRIM.
 - It is confirmed that the relay cuts at once if becoming POWER OFF.
 - Confirm no-sound from SWpreOUT when you insert HP JACK. (A-9050 / A-9030 ONLY)
 - Confirm relay operation, when 4ohm-8ohm switch is change to the other position.
- 1-2. Confirm of remote controll operations.(A-9050, A-9030 ONLY)
- Confirm that specified operations for each button are made.
 - Confirm the RI operation.
 - Confirm the change of RI mode to swith S7901-S7903 (A-9050 ONLY)
- 1-3. Confirm of Audio Sense operations.(M-5010, ADM-20.4 ONLY)
- TRIGGER switch is AUDIO at the condition of no input, and it turns off power.
 - Confirm that it dosen't become the POWER ON ,if "-65dBV, 1KHz" inputs.
 - Confirm that it becomes the POWER ON ,if "-45dBV, 1KHz" inputs.
- 1-4. Confirm of 12V trigger operations.(M-5010, ADM-20.4 ONLY)
- TRIGGER switch is 12Vtrg at the condition of no input, and it turns off power.
Confirm it become the POWER ON if 12V trigger is input.
 - Confirm 12VTRG is output when the POWER ON.

- 1-1. リレーの動作確認
- SP A、Bの切替が正常に動作しているか確認する。
 - POWER OFFになれば直ちにSPリレーが切れることを確認する。
 - HPをいれるとSWpreOUTから音が出ないことを確認する。(A-9050/A-9030 ONLY)
 - 4Ω、8Ωスイッチを切り替えるとリレーが動作することを確認する。
- 1-2. リモコンの動作確認 (A-9050, A-9030 ONLY)
- 各キーで所定の動作が行われることを確認する。
 - RI動作を確認する。
 - S7901～S7903を切り替えてRIモードが変わるか確認する。(A-9050 ONLY)
- 1-3. Audio Senseの動作確認 (M-5010, ADM-20.4 ONLY)
- TRIGGERスイッチをAUDIOにし、無信号の状態ですットの電源を切る
 - 65dBV、1kHzの入力では電源がONしないことを確認する。
 - 45dBV、1kHzが状態で入力されると電源がONすることを確認する。
- 1-4. 12Vトリガーの動作確認 (M-5010, ADM-20.4 ONLY)
- TRIGGERスイッチを12Vtrgにし、12Vトリガーが入力されると電源が入ることを確認する。
 - 電源が入ると12Vトリガーが出力されていることを確認する。

Operation Check - 2

2-1. Voltage protection

- a. The unit receives the remote control signal, it goes into the test mode 1-02.
- b. The speaker relay become OFF immediately after "D.C. 1.5V inputs" to CD SELECTOR to check L and R.
The same as above when "D.C. -1.5V" inputs at each place.

NOTE 1: Limit time to apply voltage is 0.5-1.0 seconds each channel.
When protection operation does not occur at once, try several times.

NOTE 2: Don't connect load nor short speaker terminals.

- * When you check this protection, you must use the test mode 1-02.

2-2. Current protection

- a. The unit receives the remote control signal, it goes into the test mode 1-02.
- b. The relay shall be ON when 2 ohm load is connected to each channel under the conditions of Peak-to-zero 20V output for L,R channels and no load by using the INTEGRA amplifier series Designated circuit with 50Hz square wave.
- c. The relay shall be OFF when 0.5 ohm load is connected to each channel under the conditions of Peak-to-zero 20V output for L,R channels and no load by using the INTEGRA amplifier series Designated circuit with 50Hz square wave.

- * When you check this protection, you must use the test mode 1-02.

2-1. 電圧プロテクト

- a. リモコン信号を受信し、テストモード1-02の状態する。
- b. +1.5Vを印加すると直ちにスピーカーリレーがOFFになることを確認する。
-1.5Vの場合も同様になることを確認する。

NOTE 1: 電圧印加は各ch共に0.5~1.0秒とし、1回でプロテクト動作しないときは数回電圧印加すること。

NOTE 2: 負荷を接続したりショートしたりしないこと。

- * プロテクト動作を確認する際はテストモード1-02を使用すること

2-2. 電流プロテクト

- a. リモコン信号を受信し、テストモード1-02の状態する。
- b. 無負荷で50Hzの方形波をインテグラシリーズの指定回路を通して1chずつ信号を入力し、L,R chに20Vのピーク値を出力した状態で、2Ωの負荷を接続してもリレーが切れないこと。
- c. 無負荷で50Hzの方形波をインテグラシリーズの指定回路を通して1chずつ信号を入力し、L,R chに20Vのピーク値を出力した状態で、0.5Ωの負荷を接続するとリレーが切れること。

- * プロテクト動作を確認する際はテストモード1-02を使用すること

Operation Check - 3

動作テストモード

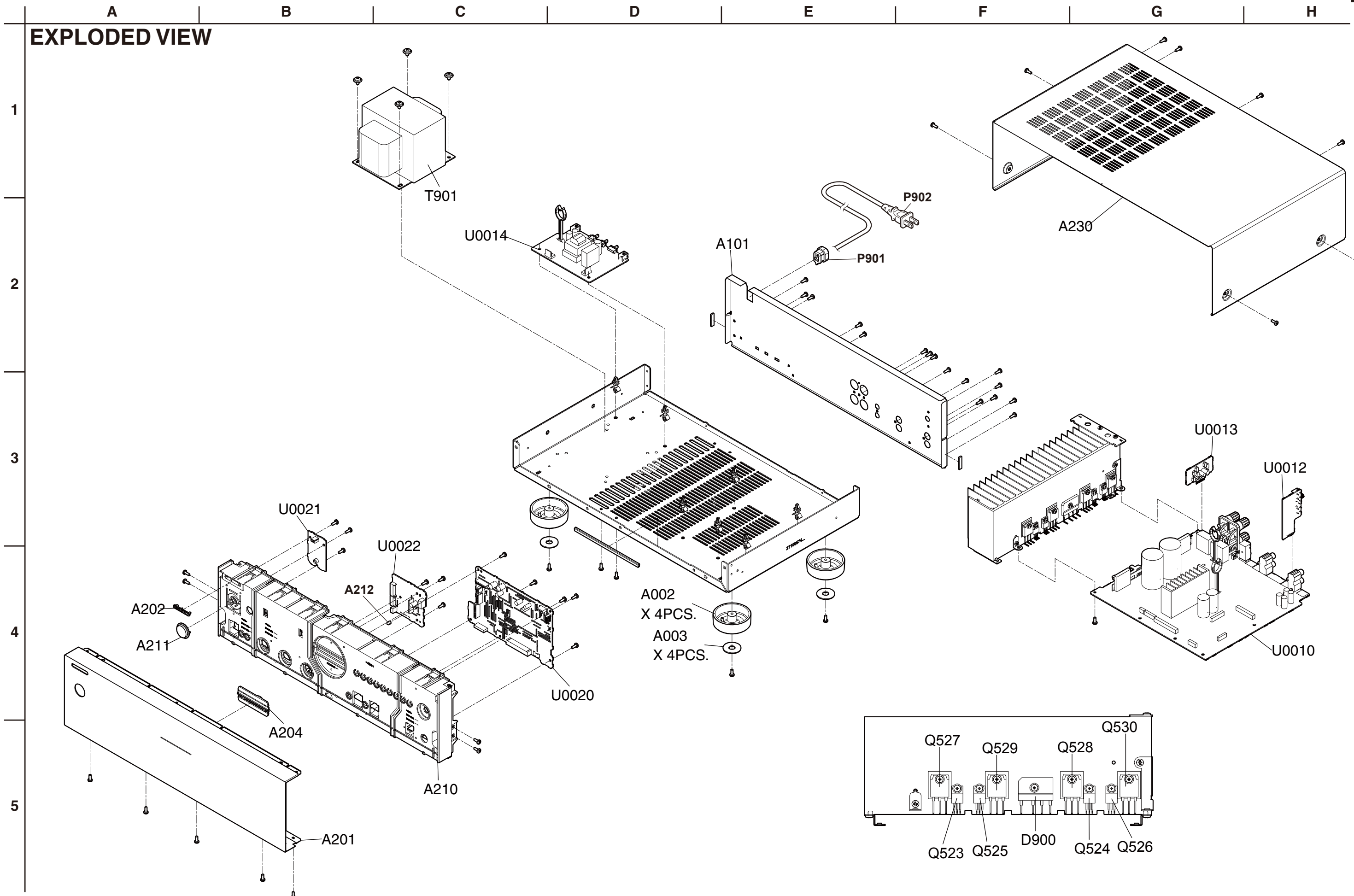
TEST MODE FOR OPERATION

- a. VolumeをMAXにし、PMBassキーを押しながらSTANDBY/ONキーを押すと、テストモードに入る。
Set volume MAX, and push STANDBY/ON button while pushing down PHASE MATCHING BASS, then it will enter the test mode.
- b. Table1に従ってキーを押すことによって、各テストモードに入ることができます。
You can enter the each test mode by pushing the key to show on the Table1.
- c. INPUTノブを回すことによって、テストステップをUP/DOWNすることができます。
You can change the Test Step by turning the input knob.
- d. また、Table2に示すコードを受信すると、直接テストモードに入ったり、ステップNo. を変えたりすることが出来る。
The unit receives the remote control signals indicated in Table2, the set will be the test mode or be changed the step No.
- e. また、1-02と1-03のテストモードは以下の手順で入ることが出来る。
You can enter the 1-02 and 1-03 test mode as below.
 - 1-02: At first, enter the test mode and then push PURE DIRECT button.
 - 1-03: At first, enter the test mode and then push SPEAKERS button.

TEST No	Function	Analog Input	Speaker	Volume	Balance	Bass	Treble	Direct	PMBass	AMUTE	ETC
1-00	All LED light up.	LINE1	SPEAKER A	0dB	CENTER	0dB	0dB	ON	OFF	OFF	*1
1-01	Thermal test mode.	LINE1	SPEAKER A	0dB	CENTER	0dB	0dB	ON	OFF	OFF	*2
1-02	Protect test mode.	LINE1	SPEAKER A	0dB	CENTER	0dB	0dB	ON	OFF	OFF	*3
1-03	Idling timer mode.	LINE1	SPEAKER A	0dB	CENTER	0dB	0dB	ON	OFF	OFF	*4
2-00	Direct Volume Max.	LINE1	SPEAKER A	MAX	CENTER	0dB	0dB	ON	OFF	OFF	
2-01	Direct Volume Min.	LINE1	SPEAKER A	MIN	CENTER	0dB	0dB	ON	OFF	OFF	
2-02	Tone Volume Max.	LINE1	SPEAKER A	MAX	CENTER	0dB	0dB	OFF	OFF	OFF	
2-03	Tone Balance Rmax.	LINE1	SPEAKER A	MAX	RMAX	0dB	0dB	OFF	OFF	OFF	
2-04	Tone Balance Lmax.	LINE1	SPEAKER A	MAX	LMAX	0dB	0dB	OFF	OFF	OFF	
2-05	Tone Bass Max.	LINE1	SPEAKER A	MAX	CENTER	MAX	0dB	OFF	OFF	OFF	
2-06	Tone Bass Min.	LINE1	SPEAKER A	MAX	CENTER	MIN	0dB	OFF	OFF	OFF	
2-07	Tone Treble Max.	LINE1	SPEAKER A	MAX	CENTER	0dB	MAX	OFF	OFF	OFF	
2-08	Tone Treble Min.	LINE1	SPEAKER A	MAX	CENTER	0dB	MIN	OFF	OFF	OFF	
2-09	Tone PMBass ON.	LINE1	SPEAKER A	MAX	CENTER	0dB	0dB	OFF	ON	OFF	
2-10	Amute ON.	LINE1	SPEAKER A	MAX	CENTER	0dB	0dB	ON	OFF	ON	
2-11	Volume -40dB.	PHONO	SPEAKER A	-40dB	CENTER	0dB	0dB	ON	OFF	OFF	
2-12	Phono Volume Max.	PHONO	SPEAKER A	MAX	CENTER	0dB	0dB	ON	OFF	OFF	
2-13	Phono Volume Min.	PHONO	SPEAKER A	MIN	CENTER	0dB	0dB	ON	OFF	OFF	
3-00	Digital3 Input Test.	D3	SPEAKER A	MIN	CENTER	0dB	0dB	ON	OFF	OFF	

- *1 全てのLEDが順番に点灯していきます。
All LED lights up in turn.
- *2 RI出力に1秒おきにAMPの温度を出力します。
It output the temperature of the amplifier in RI every one second.
- *3 プロテクトを検出した時、3秒間SPリレーを切断します。
(その他のモードの時プロテクトを検出すると、シャットダウンします)
When I detected AMP protection, I cut the SP relay for three seconds.
(I shut it down when I detect protection at time of other test modes.)
- *4 1分ごとにLEDが点灯していくタイマーモードです。
It is the timer mode which LED lights up every one minute.
- *5 テストモード中にSTANDBYボタンが押されると、設定を初期化後にスタンバイモードになります。
When STANDBY button is pushed in a test mode, it becomes a standby mode after initialization by setting.

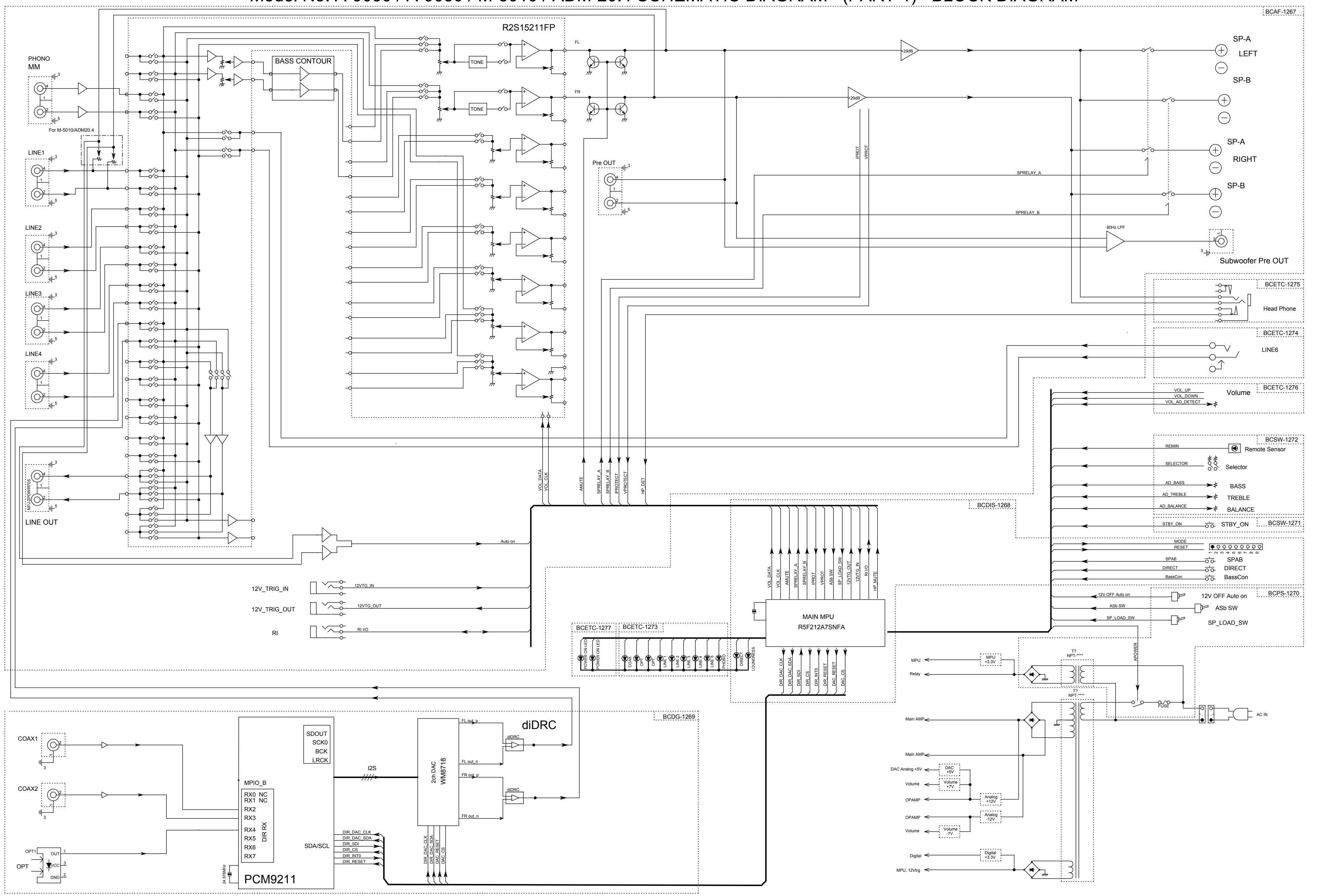
EXPLODED VIEW



SCHEMATIC DIAGRAMS - 1 BLOCK DIAGRAM

Model No. A-9050 / A-9030 / M-5010 / ADM-20.4 SCHEMATIC DIAGRAM (PART-1) BLOCK DIAGRAM

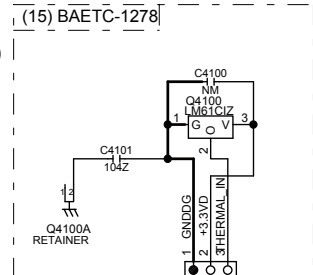
1
2
3
4
5
6
7
8



SCHEMATIC DIAGRAMS - 2
AUDIO SECTION

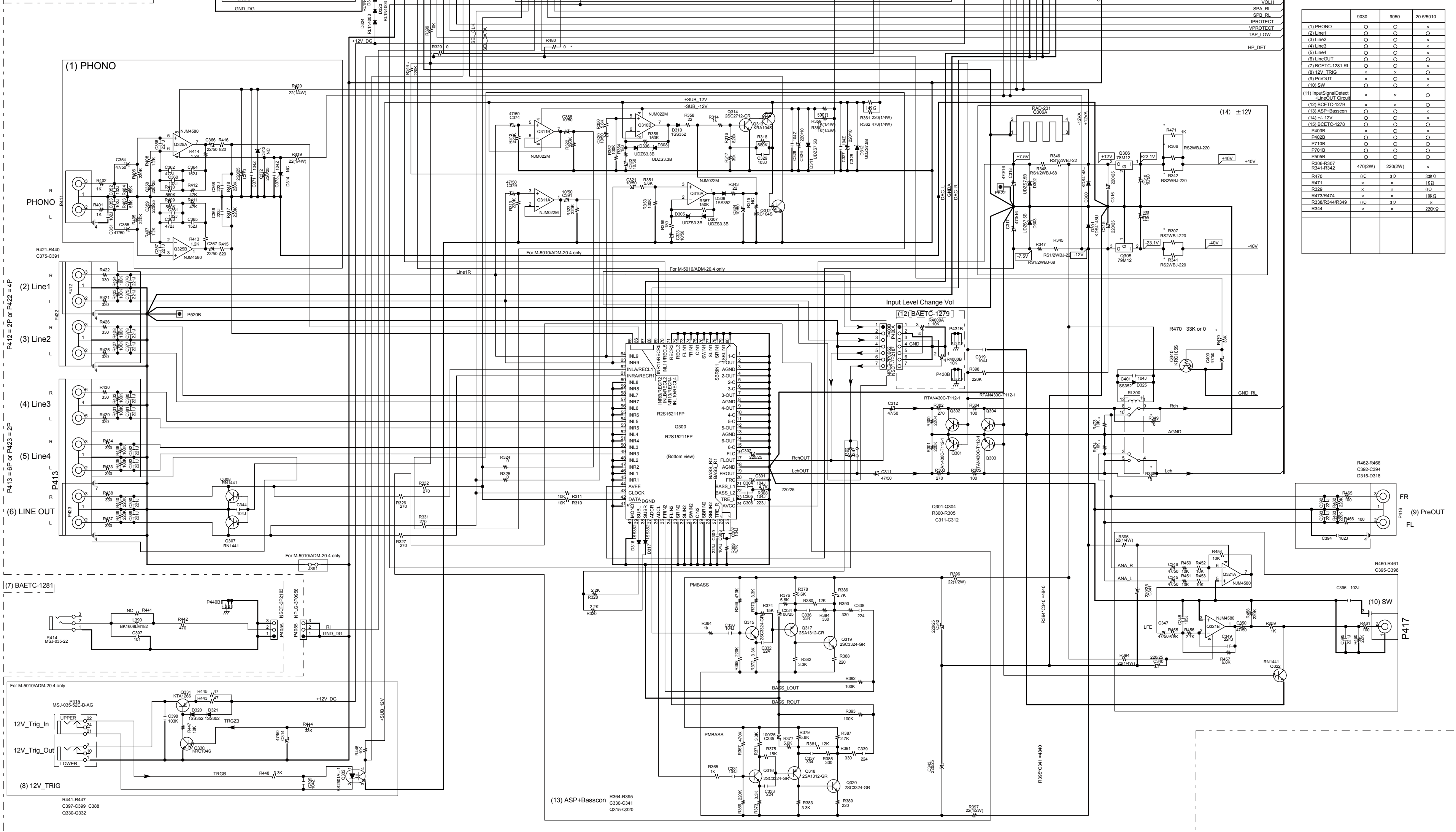
Model No. A-9050 / A-9030 / M-5010 / ADM-20.4 SCHEMATIC DIAGRAM (PART-2) ASP Section

U0012
Thermal Sensor PC BOARD



U0010
MAIN PC BOARD

BAAF-1267(1/2)



	9030	9050	20.5/5010
(1) PHONO	○	○	x
(2) Line1	○	○	○
(3) Line2	○	○	x
(4) Line3	○	○	x
(5) Line4	○	○	x
(6) LineOUT	○	○	x
(7) BAETC-1281 RI	○	○	x
(8) 12V_TRIG	x	x	○
(9) PreOUT	x	○	○
(10) SW	○	○	x
(11) InputSignalDetect	x	x	○
(12) BAETC-1279	x	x	○
(13) ASP+Basscon	○	○	x
(14) ±12V	○	○	x
(15) BAETC-1278	○	○	○
P402B	x	○	x
P402B	○	○	○
P710B	○	○	○
P701B	○	○	○
P655B	○	○	○
R306-R307	4702W	2202W	x
R341-R342	100	100	330
R470	100	100	330
R471	x	x	100
R329	x	x	100
R473-R474	x	x	100
R338-R344/R349	0	0	100
R344	x	x	220K

1
2
3
4
5
6
7
8

P412 = 2P or P422 = 4P
P413 = 8P or P423 = 2P

(13) ASP+Basscon
R364-R395
C330-C341
Q315-Q320

(9) PreOUT
FR
FL

(10) SW
P417

SCHEMATIC DIAGRAMS - 3 POWER AMPLIFIER SECTION

Adjustment of idling current

- a. Set the voltages at P511 and P512 to 20mV by adjusting R587 and R588, under the condition of no input and no load, immediately after POWER ON. 無負荷・無信号にてPOWER ON直後、P511~P512の両端電圧をR587~R588にて20mVに設定する。
- b. 5 minutes of heat running. 5分間ヒートランする。
- c. Re-adjust by following procedure. 下記手順で再調整する。

Below 20mV	20mV
Between 20~30mV	Leave it as it is.
Over 30mV	30mV

(A-9030 ONLY)

- a. Set the voltages at P511 and P512 to 10mV by adjusting R587 and R588, under the condition of no input and no load, immediately after POWER ON. 無負荷無信号にてPOWER ON直後、P511~P512の両端電圧をR587~R588にて10mVに設定する。
- b. 5 minutes of heat running. 5分間ヒートランする。
- c. Re-adjust by following procedure. 下記手順で再調整する。

Below 10mV	10mV
Between 10~20mV	Leave it as it is.
Over 20mV	20mV

NOTE1)

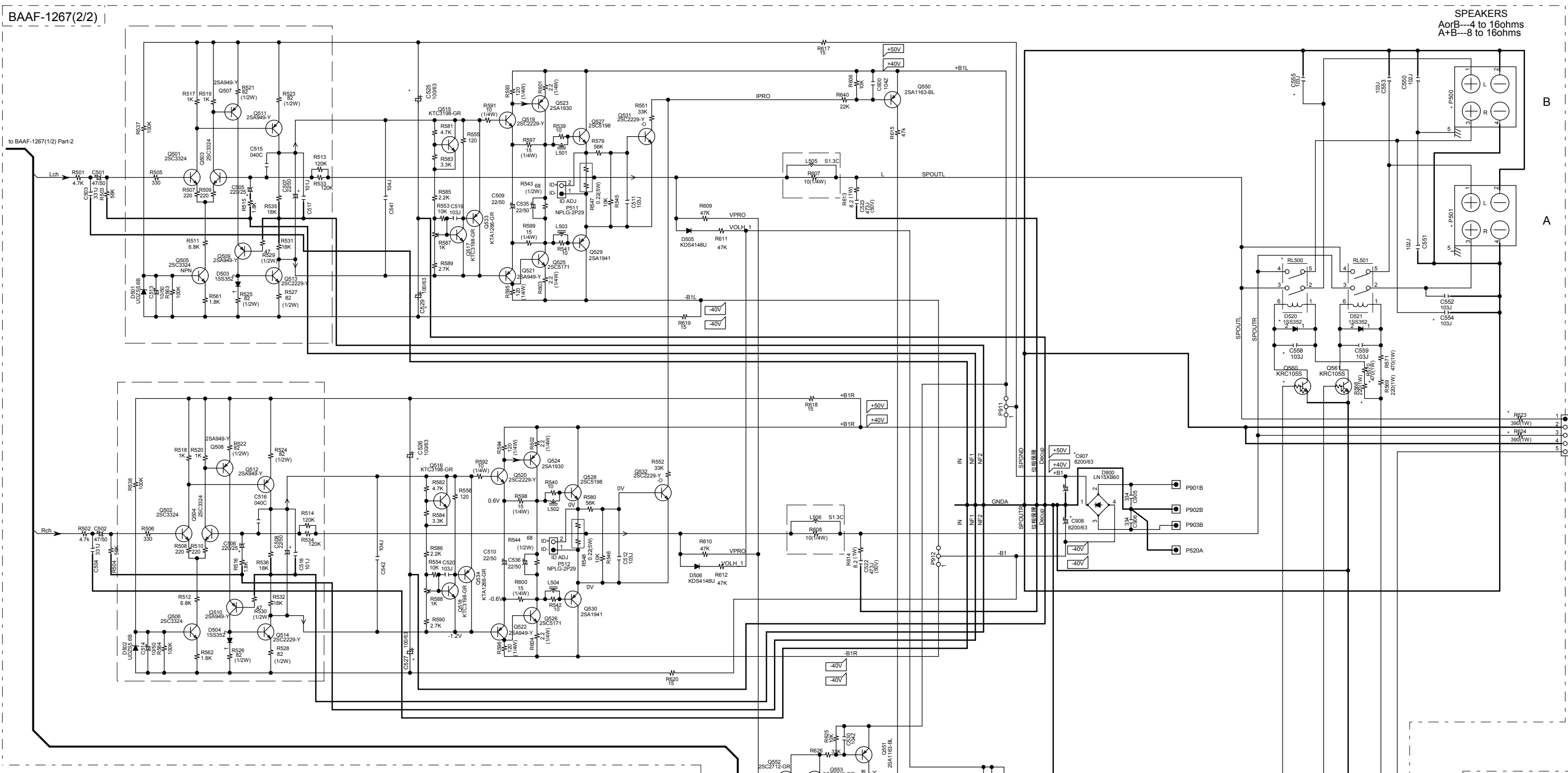
When you adjust idling current, you must use the test mode 1-03. アイドリング電流を調整する際はテストモード1-03を使用すること test mode 1-03 : Set volume MAX, and push STANDBY/ON button while pushing down PHASE MATCHING BASS, then it will enter the test mode. And then push SPEAKERS button.

NOTE2)
M-5010 and ADM-20.4, you must confirm SPEAKER IMPEDANCE switch 8ohm before you adjust idling current. M-5010とADM-20.4はアイドリング電流を調整する前にSPEAKER IMPEDANCEのスイッチが8Ωになっていることを確認する事

NOTE3)
M-5010 and ADM-20.4 don't have test mode. When you adjust idling current, you should use timer. M-5010とADM-20.4はテストモードがないのでアイドリングを調整する時はストップウォッチを使ってください。

Model No. A-9050 / A-9030 / M-5010 / ADM-20.4 SCHEMATIC DIAGRAM (PART-3) AMP Section

U0010 MAIN PC BOARD



Mt or No Mt List

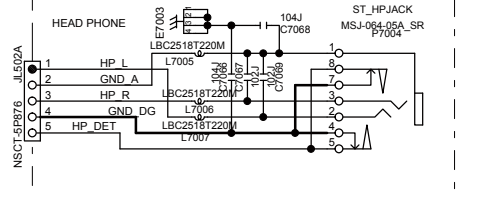
Mt choice	9030	9050	20.5/9010
C307-C308	820V/50V	1000/80V	1000/80V
C325-C326/C327-C328	100u/50V	100u/83V	100u/83V
P901 SPA	○	○	○
P902 SPB	○	○	○
RL500/C555/C554	○	○	×
D520-C588/Q560			
R908/R910			
BAETC-1275	○	○	×
RL905/RL901	○	○	×
J900-J903	○	○	×
SP1	○	○	○
SP2	○	○	○
SP3	○	○	○
SP4	○	○	○
SP5	○	○	○
SP6	○	○	○
SP7	○	○	○
SP8	○	○	○
SP9	○	○	○
SP10	○	○	○
SP11	○	○	○
SP12	○	○	○
SP13	○	○	○
SP14	○	○	○
SP15	○	○	○
SP16	○	○	○
SP17	○	○	○
SP18	○	○	○
SP19	○	○	○
SP20	○	○	○
SP21	○	○	○
SP22	○	○	○
SP23	○	○	○
SP24	○	○	○
SP25	○	○	○
SP26	○	○	○
SP27	○	○	○
SP28	○	○	○
SP29	○	○	○
SP30	○	○	○
SP31	○	○	○
SP32	○	○	○
SP33	○	○	○
SP34	○	○	○
SP35	○	○	○
SP36	○	○	○
SP37	○	○	○
SP38	○	○	○
SP39	○	○	○
SP40	○	○	○
SP41	○	○	○
SP42	○	○	○
SP43	○	○	○
SP44	○	○	○
SP45	○	○	○
SP46	○	○	○
SP47	○	○	○
SP48	○	○	○
SP49	○	○	○
SP50	○	○	○
SP51	○	○	○
SP52	○	○	○
SP53	○	○	○
SP54	○	○	○
SP55	○	○	○
SP56	○	○	○
SP57	○	○	○
SP58	○	○	○
SP59	○	○	○
SP60	○	○	○
SP61	○	○	○
SP62	○	○	○
SP63	○	○	○
SP64	○	○	○
SP65	○	○	○
SP66	○	○	○
SP67	○	○	○
SP68	○	○	○
SP69	○	○	○
SP70	○	○	○
SP71	○	○	○
SP72	○	○	○
SP73	○	○	○
SP74	○	○	○
SP75	○	○	○
SP76	○	○	○
SP77	○	○	○
SP78	○	○	○
SP79	○	○	○
SP80	○	○	○
SP81	○	○	○
SP82	○	○	○
SP83	○	○	○
SP84	○	○	○
SP85	○	○	○
SP86	○	○	○
SP87	○	○	○
SP88	○	○	○
SP89	○	○	○
SP90	○	○	○
SP91	○	○	○
SP92	○	○	○
SP93	○	○	○
SP94	○	○	○
SP95	○	○	○
SP96	○	○	○
SP97	○	○	○
SP98	○	○	○
SP99	○	○	○
SP100	○	○	○

Fuse List

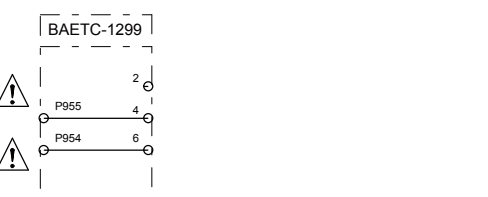
	9030	9050	9050	9050/20.4/5010
MGQ	MDC	MJ	MJ	MPP
FR51	T1.6A/250V	1.25V/3.15A	1.25V/4A	T2AL 250V
FR00/FR02	x	1.25V/10A	1.25V/10A	1.25V/10A

Sub Trans List

	9030	9050	9050	9050/20.4/5010
T901	NPT-1293P	NPT-1625C	NPT-1625J	NPT-1626P
T951	NPT-1520GG	NPT-1520J	NPT-1520J	NPT-1520GG

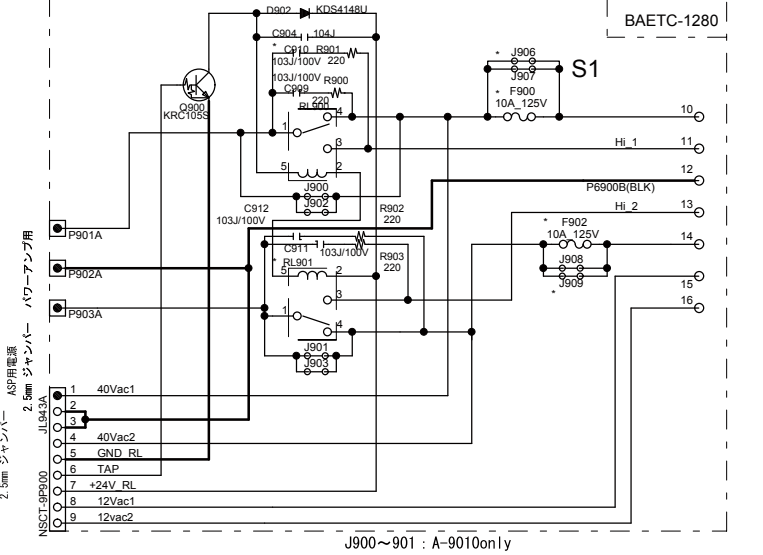
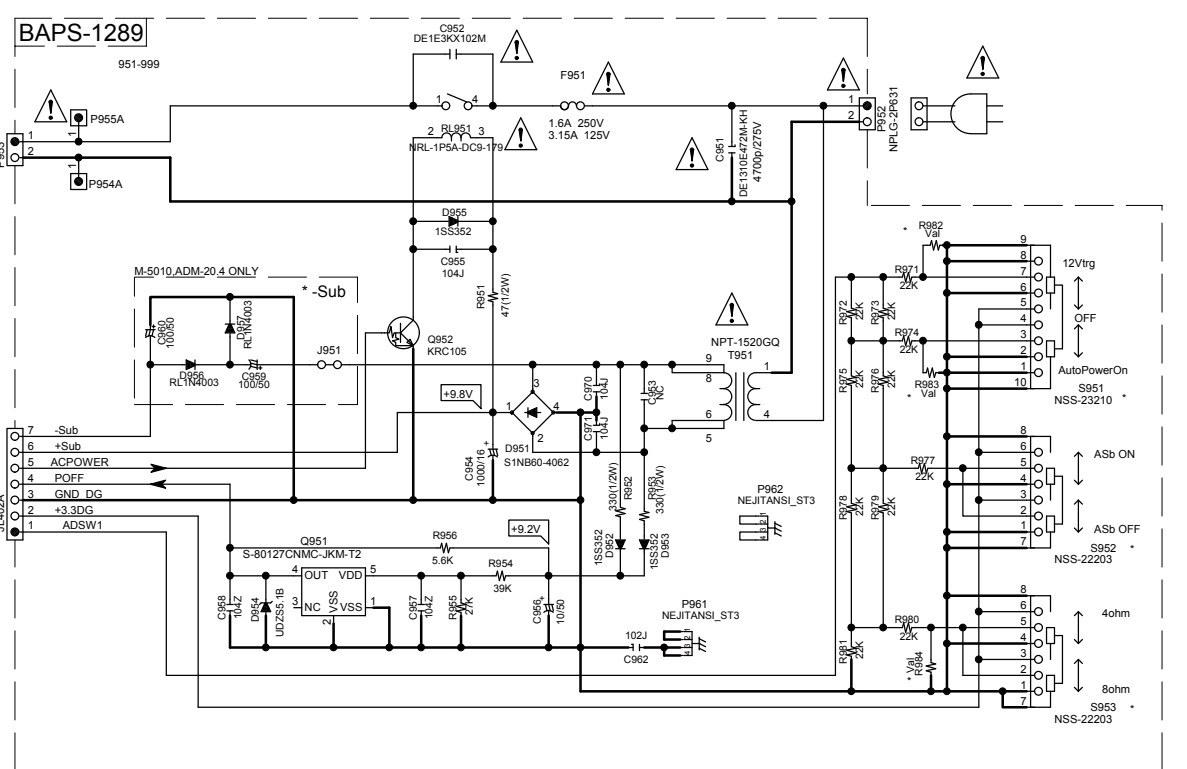


U0013 HP Jack PC BOARD



U0013 Power Supply PC BOARD

U0015 Power Supply PC BOARD



J900~901: A-9010only

SCHEMATIC DIAGRAMS - 4
DISPLAY SECTION

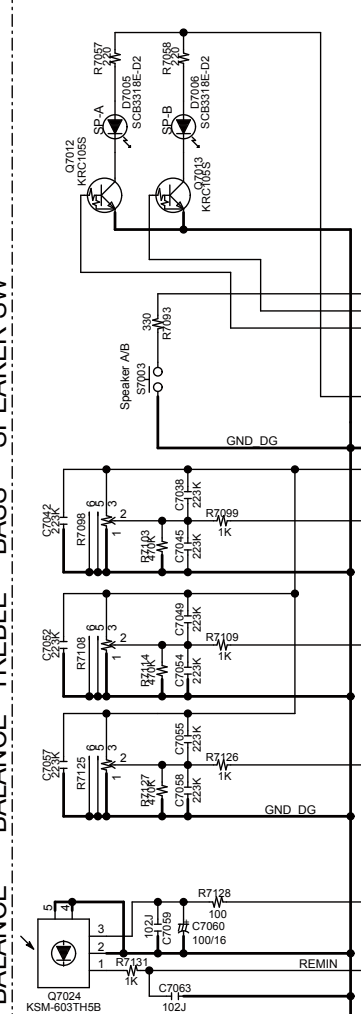
Set of destination Model No. A-9050 / A-9030 / M-5010 / ADM-20.4 SCHEMATIC DIAGRAM (PART-4) Display Section

	A-9030	A-9010	M-5010	ADM20.4
BCDIS-1268	<input type="checkbox"/>	<input type="checkbox"/>	<input type="checkbox"/>	<input type="checkbox"/>
BCSW-1272	<input type="checkbox"/>	<input type="checkbox"/>	<input type="checkbox"/>	<input type="checkbox"/>
BCSW-1271	<input type="checkbox"/>	<input type="checkbox"/>	<input type="checkbox"/>	<input type="checkbox"/>
BCETC-1273	<input type="checkbox"/>	<input type="checkbox"/>	<input type="checkbox"/>	<input type="checkbox"/>
BCETC-1274	<input type="checkbox"/>	<input type="checkbox"/>	<input type="checkbox"/>	<input type="checkbox"/>
BCETC-1276	<input type="checkbox"/>	<input type="checkbox"/>	<input type="checkbox"/>	<input type="checkbox"/>

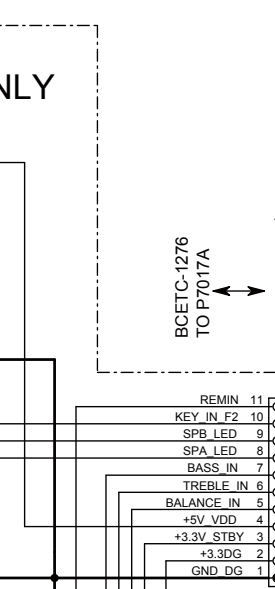
Resistance of destination Model

	A-9050	A-9030	M-5010	ADM20.4
R7018	47K	---	---	---
R7019	47K	---	---	---
R7022	47K	---	---	---
R7023	47K	---	---	---

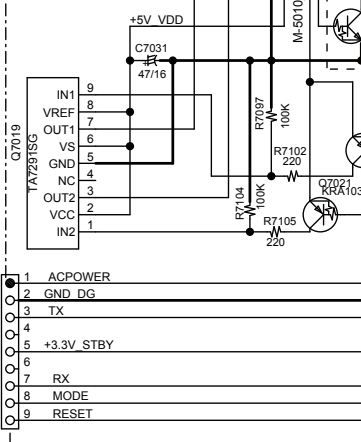
U0022
Switch PC BOARD
BASW-1272
A-9050/A-9030 ONLY



U0021
Switch PC BOARD
BASW-1271



U0025
Volume PC BOARD
BAETC-1276 A-9050/A-9030 ONLY



Resistance of destination

	A-9050	A-9030	M-5010	ADM20.4
R7123	470	---	---	---
R7124	VARI R	---	---	---
R7125	VARI R	---	---	---
R7126	1K	---	---	---
R7127	470K	---	---	---
R7128	100	---	---	---
R7129	330	---	---	---
R7130	56K	---	---	---
R7131	1K	---	---	---
R7132	56K	---	---	---
R7133	330	---	---	---
R7134	4.7K	---	---	---
R7135	4.7K	---	---	---

Resistance of destination

	A-9050	A-9030	M-5010	ADM20.4
R7102	220	---	---	---
R7103	470K	---	---	---
R7104	100K	---	---	---
R7105	220	---	---	---
R7106	2.2K	---	---	---
R7107	2.2K	---	---	---
R7108	VOL R	---	---	---
R7109	1K	---	---	---
R7110	470	---	---	---
R7111	470	---	---	---
R7112	1K	---	---	---
R7113	470K	---	---	---
R7114	470K	---	---	---
R7115	470	---	---	---
R7116	470	---	---	---
R7117	470	---	---	---
R7118	470	---	---	---
R7119	470	---	---	---
R7120	470	---	---	---
R7121	470	---	---	---
R7122	470	---	---	---

Resistance of destination

	A-9050	A-9030	M-5010	ADM20.4
R7059	47	---	---	---
R7061	47	---	---	---
R7064	100	---	---	---
R7069	220K	---	---	---
R7071	100	---	---	---
R7075	47	---	---	---
R7076	47	---	---	---
R7081	330	---	---	---
R7082	47	---	---	---
R7083	330	---	---	---
R7084	330	---	---	---
R7085	330	---	---	---
R7086	100	---	---	---
R7089	47	---	---	---
R7090	470	---	---	---
R7093	330	---	---	---
R7097	100K	---	---	---
R7098	VOL R	---	---	---
R7099	1K	---	---	---
R7100	270	---	---	---
R7101	0	---	---	---

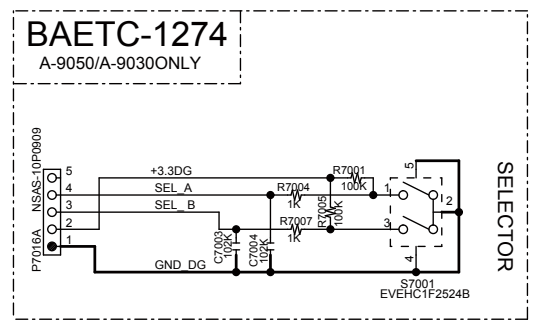
Resistance of destination

	A-9050	A-9030	M-5010	ADM20.4
R7001	100K	---	---	---
R7004	1K	---	---	---
R7005	100K	---	---	---
R7007	1K	---	---	---
R7018	47K	---	---	---
R7019	47K	---	---	---
R7022	47K	---	---	---
R7023	47K	---	---	---
R7031	1K	---	---	---
R7033	1K	---	---	---
R7034	1K	---	---	---
R7036	47	---	---	---
R7037	47	---	---	---
R7039	47	---	---	---
R7040	47	---	---	---
R7044	220	---	---	---
R7048	47	---	---	---
R7050	2.7K	---	---	---
R7055	47	---	---	---
R7057	470	---	---	---
R7058	470	---	---	---

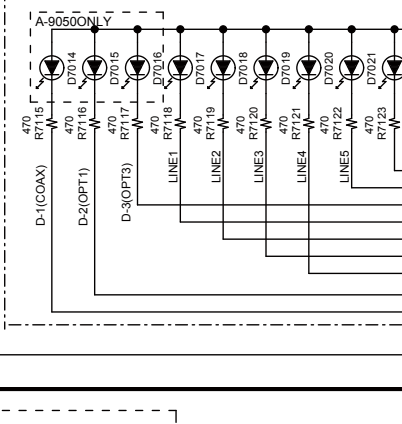
Destination, C, TR

	A-9050	A-9030	M-5010	ADM20.4
C7003~C7004	---	---	---	---
C7006	---	---	---	---
C7016~C7018	---	---	---	---
C7026~C7028	---	---	---	---
C7031 C7038	---	---	---	---
C7042	---	---	---	---
C7045~C7063	---	---	---	---
C7073~C7074	---	---	---	---
D7008~D7011	---	---	---	---
Q7003	---	---	---	---
Q7007~Q7008	---	---	---	---
Q7009	---	---	---	---
Q7010~Q7011	---	---	---	---
Q7012~Q7013	---	---	---	---
Q7014	---	---	---	---
Q7017~Q7024	---	---	---	---
D7004	---	---	---	---
D7005~D7006	---	---	---	---
D7014~D7016	---	---	---	---
D7012~D7013	---	---	---	---
D7017~D7022	---	---	---	---
L7002~L7004	---	---	---	---

U0020
Selector PC BOARD



U0023
LED PC BOARD
BAETC-1273 A-9050/A-9030 ONLY



DIS1268 of destination

* PULL_UP	A-9050	A-9030	M-5010	ADM20.4
R7026	2.7K	---	---	---
R7027	2.7K	---	---	---
R7091	47K	---	---	---
R7092	47K	---	---	---
R7094	47K	---	---	---
R7144	47K	---	---	---

DIS1268 of destination

* PULL_DOWN	A-9050	A-9030	M-5010	ADM20.4
R7141	2.2K	---	---	---
R7145	47K	---	---	---
R7146	47K	---	---	---
R7147	47K	---	---	---
R7148	47K	---	---	---
R7149	47K	---	---	---
R7150	47K	---	---	---
R7153	47K	---	---	---

1
2
3
4
5
6
7
8

SCHEMATIC DIAGRAMS - 5
DIGITAL SECTION

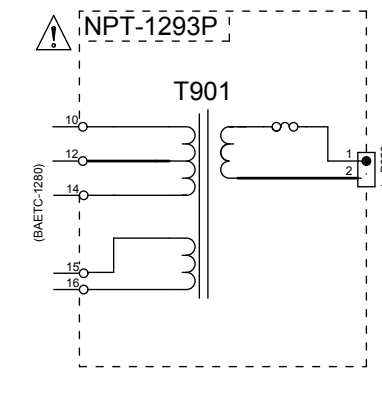
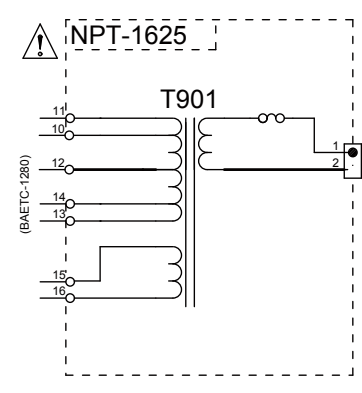
Model No. A-9050 / A-9030 / M-5010 / ADM-20.4 SCHEMATIC DIAGRAM (PART-5) Digital Section

THIS SYMBOL LOCATED NEAR THE FUSE INDICATES THAT THE FUSE USED IS SLOW OPERATING TYPE FOR CONTINUED PROTECTION AGAINST FIRE HAZARD. REPLACE WITH SAME TYPE FUSE. FOR FUSE RATING REFER TO THE MARKING ADJACENT TO THE SYMBOL.

CE SYMBOLE INDIQUE QUE LE FUSIBLE UTILISE EST A LENT, E POUR UNE PROTECTION PERMANENTE CONTRE LES RISQUES D'INCENDIE. REMPLACER UNIQUEMENT PAR UN FUSIBLE DE MEME TYPE. CE DERNIER EST INDIQUE LA QU'LE PRESENT SYMBOLE EST ADPOSE.

CAUTION
FOR CONTINUED PROTECTION AGAINST FIRE HAZARD, REPLACE ONLY WITH FUSE OF SAME TYPE AND RATING INDICATED.

ATTENTION
ATTENTION: AFIN D'ASSURER UNE PROTECTION PERMANENTE CONTRE LES RISQUES D'INCENDIE, REMPLACER UNIQUEMENT PAR UN FUSIBLE DE MEME TYPE ET CALIBRATION COMME INDIQUE.



Trans List

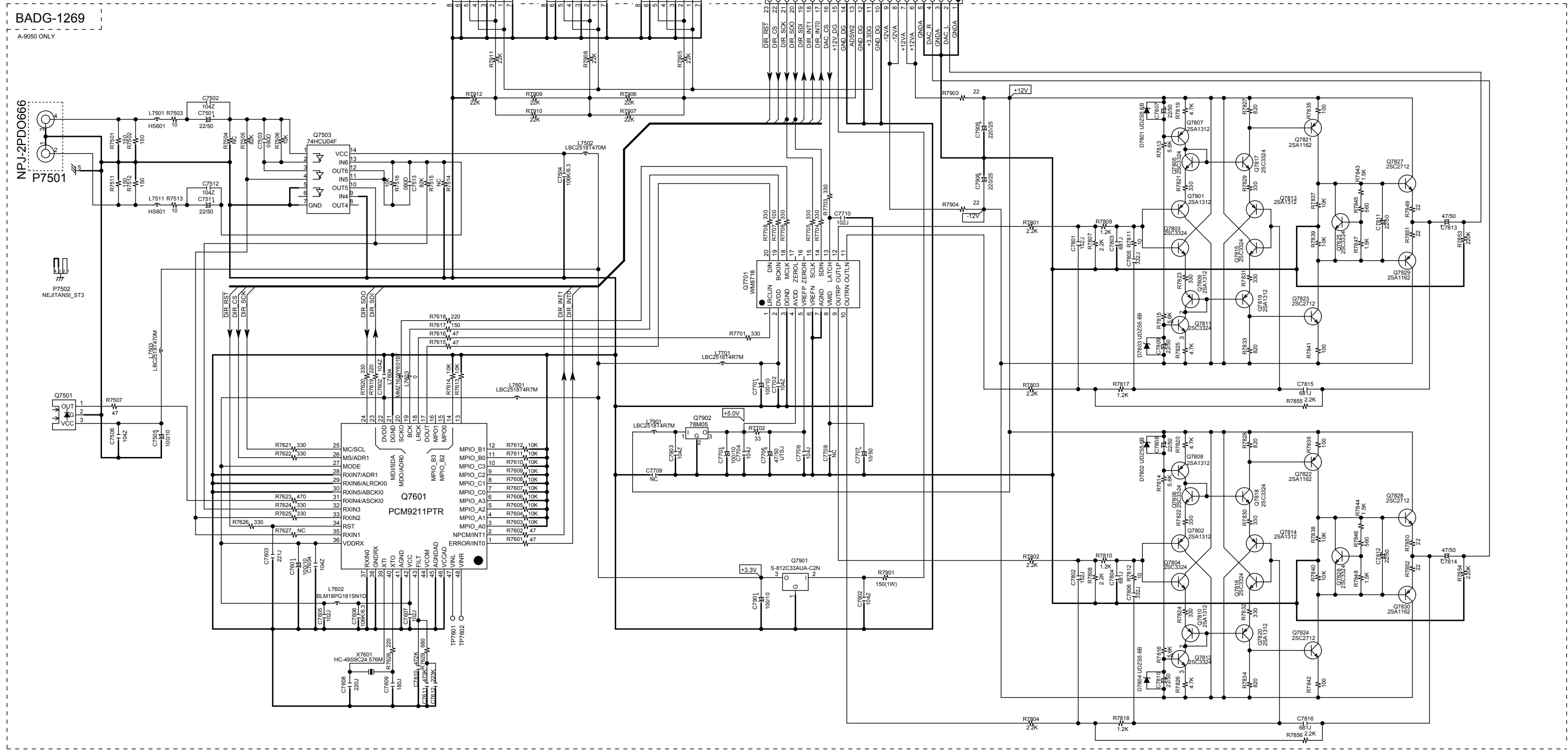
A-9050 MPP	NPT-1625P
A-9050 MDC	NPT-1625D
A-9050 MJJ	NPT-1625J
A-9030 MGP	NPT-1293P
A-9030 MGO	
A-9030 MGR	
M-5010 MDC	NPT-1625D
ADM-20.4 MDD	

NOTE_5

- THE COMPONENTS IDENTIFIED BY MARK ARE CRITICAL FOR SAFETY. REPLACE ONLY WITH PART NUMBER SPECIFIED.
- ELECTROLYTIC CAPACITORS () ARE IN μ F/VV.
- ALL CAPACITORS ARE IN μ F/50V UNLESS OTHERWISE NOTED.
- EX) 030-33 μ F 330-33 μ F 331-33 μ F 333-0.033 μ F
- CIRCUIT IS SUBJECT TO CHANGE FOR IMPROVEMENT.

・印は火災、感電の危険に關する製品の為、必ず指定部品を使用の事。
 ・電圧表示は測機符号に測定した実電圧を示す。
 ・単位V、入力抵抗100k Ω 、Vは上の電圧。
 ・記入なきコンデンサの単位は μ F/50VVである。
 ・記入なきコンデンサの単位は μ F/50VVである。
 例) 030-33 μ F 330-33 μ F 331-33 μ F 333-0.033 μ F
 ・本図は基本回路図につき性能改善等により予告なく変更する事がある。

U0030
Digital PC BOARD



M-5010(B)MDC**<Note>**

Parts marked by "NSP" are generally unavailable because they are not in our Master Spare Parts List.

NOTE : THE COMPONENTS IDENTIFIED BY THE MARK ! ARE CRITICAL FOR RISK OF FIRE AND ELECTRIC SHOCK. REPLACE ONLY WITH PART NUMBER SPECIFIED.

<Notes>

(B) : Black color model

<MDC> : 120V,Canadian/USA/(Mexico) model

M-5010(B)MDC**EXPLODED VIEW PARTS LIST**

REF. NO.	PART NAME	DESCRIPTION	Q'TY	PART NO. (SN)	REMARKS
[SEMI CONDUCTOR]					
D900	DIODE	LN15XB60	1	22380347	
Q523	TR	2SA1930(ONK_Q)	1	2203000	
Q524	TR	2SA1930(ONK_Q)	1	2203000	
Q525	TR	2SC5171(ONK_Q)	1	2203010	
Q526	TR	2SC5171(ONK_Q)	1	2203010	
Q527	TR	2SC5242-R	1	2202842	
Q527 or	TR	2SC5242-O	(1)	2202843	
Q527A	ISO SHEET	AC238	1	223024	
Q528	TR	2SC5242-R	1	2202842	
Q528 or	TR	2SC5242-O	(1)	2202843	
Q528A	ISO SHEET	AC238	1	223024	
Q529	TR	2SA1962-R	1	2202832	
Q529 or	TR	2SA1962-O	(1)	2202833	
Q529A	ISO SHEET	AC238	1	223024	
Q530	TR	2SA1962-R	1	2202832	
Q530 or	TR	2SA1962-O	(1)	2202833	
Q530A	ISO SHEET	AC238	1	223024	
[CHASSIS SCREW]					
A001	CHASSIS		1	27100574B	
A002	LEG	(B)	4	27175464	
A003	CUSHION	(ZUL)	4	28141877	
A004	SCREW	3TTB+8B(3BC)	4	838430088GR	
A005	HOLDER	KGLS-6S	7	27190011	
A007	BUSHING	CE-016 L=125	1	28170112	

A010	HEAT SINK		1	27160676A	
A011	RETAINER	(HEATSINK)	1	27142294	
A012	RETAINER	(HS-2)	1	27141530A	
A013	RETAINER	(HEATSINK)B	2	27142300	
A015	SCREW	3SMS8W.SW+14B(CU)	5	801634	
A016	SCREW	3TTB+8B(3BC)	11	838430088GR	
A020	SCREW	4TTC+8C(3BC)SR	4	801658	
A050	SCREW	3TTB+8B(3BC)	29	838430088GR	
A051	WIRE TIE	BSK-1	5	260208	
A052	CLAMP	HL-38-0	2	27301779	
A060	SCREW	3SMS6W.SW+14B(CU)	4	801659	
A101	REAR PANEL	M-5010 MDC	1	27124470C	N
A103	CUSHION		2	28141799	
[CABINET]					
A201	F PANEL	M-5010(B)	1	27213592	N
A202	BADGE		1	28135317	
A204	FACET	(CENTER)	1	28200068B	
A210	F BRACKET	(AS)M-5010B	1	27111617C	N
A210A	F BRACKET	(L)A-9030B	{ 1 }	27111608B	
A210B	F BRACKET	(CL)A-9030B	{ 1 }	27111609A	
A210C	F BRACKET	(CR)M-5010B	{ 1 }	27111618	N
A210D	F BRACKET	(R)A-9030B	{ 1 }	27111611A	
A211	KNOB	(CAP-STBY)B	1	28327091A	
A220	SCREW	3TTB+8B(3BC)	11	838430088GR	
A230	COVER	(B) (Bent)	1	28210114	N
A230	COVER	(B) (Not Bent)	1	28210114Z	N
A231	SCREW	3TTB+8B(3BC)	8	838430088GR	
[TRANS COIL]					
T901	P TRANS	NPT-1625D	1	2302058	!
[SW TRM]					
F900	FUSE	10A-T/UL-ST2	1	252333GR	!
F902	FUSE	10A-T/UL-ST2	1	252333GR	!
F951	FUSE	3.15A-UL/T-233	1	252323GR	!
F951A	LABEL	3.15A/125V	1	29361779	
P710	FFC	NCFC7-311512	1	2047311512	
P901	BUSHING	S-RELIEF #2271	1	27300750	
P902	AC CORD	AS-UC-2	1	253368AYUN	!
P902 or	AC CORD	AS-UC-2	(1)	253368BLTK	!

[MECHA PARTS]						
A212	CAP	(LED)	1	28330201		
[TUNER UNIT]						
U001	U0010, U0011, U0012, U0013, U0014, U0015, U0016	BAAF-1267-2A *	1	1B280567-2A		MDC
U0010	Main pc board AS	BAAF-1267-2A	1	1B2805267-2A		
U0011	ETC. pc board AS	BAETC-1278-2A	1	1B2805278-2A		
U0012	ETC. pc board AS	BAETC-1279-2A	1	1B2805279-2A		
U0013	Power Supply pc board AS	BAPS-1280-2A	1	1B2805280-2A		
U0014	Power Supply pc board AS	BAPS-1289-2A	1	1B2805289-2A		
U0015	ETC. pc board AS	BAETC-1290-2A	1	1B2805290-2A		
U0016	ETC. pc board AS	BAETC-1298-2A	1	1B2805298-2A		
U002	U0020, U0021, U0022	BADIS-1268-1G *	1	1B280568-1G		MDC
U0020	Display pc board AS	BADIS-1268-1G	1	1B2805268-1G		
U0021	Switch pc board AS	BASW-1271-1G	1	1B2805271-1G		
U0022	ETC. pc board AS	BAETC-1276-1G	1	1B2805276-1G		
PACKING PROCEDURES PARTS LIST						M-5010(B)MDC
REF. NO.	PART NAME	DESCRIPTION	Q'TY	PART NO. (SN)	REMARKS	
[PACKING]						
A017	TAPE	TAPE(CLOTH-16U)	1	29110083		
A053	TAPE	TAPE(CLOTH-8U)	1	29110082		
A301	CARTON	M-5010	1	29055374B		N
A311	PP TAPE	W50 SBT-70	1	29110200		
A351A	UPC LABEL	M-5010(B)MDC	{ 1 }	29392044		N
A401	PAD	(AS)A-9030	1	29092628B		
A401A	PAD	(L)A-9030	{ 1 }	29092629B		
A401B	PAD	(R)A-9030	{ 1 }	29092630B		
A451	SHEET	1300 x 650	1	29096147		
A452	TAPE	(SEROHAN)NITTO NO.29	1	29110149		
[ACCESSARY]						
A501	WRNTY CARD	(ONKYO)	1	29365135		
A701	INS MANUAL	En(M-5010)	1	29401276		
A702	INS MANUAL	U2FrEs(M-5010)	1	29401277		
A711	POLY BAG	w250xd350	1	29100250A		
A712	TAPE	(SEROHAN)NITTO NO.29	1	29110149		

PC BOARD PARTS LIST

M-5010(B)MDC

U001

BAAF-1267-2A

CIRCUIT NO	PART NAME	DESCRIPTION	Q'TY	PART NO. (SN)	REMARKS
[SEMI CONDUCTOR]					
D300	C-DIODE	KDS4148U	1	223283R2	
D300 or	C-DIODE	1SS352	(1)	223234R2	
D300 or	C-DIODE	1SS355	(1)	223269R2	
D305	ZENER D	UDZS3.3B	1	224550330R2	
D306	ZENER D	UDZS3.3B	1	224550330R2	
D307	ZENER D	UDZS3.3B	1	224550330R2	
D308	ZENER D	UDZS3.3B	1	224550330R2	
D309	C-DIODE	KDS4148U	1	223283R2	
D309 or	C-DIODE	1SS352	(1)	223234R2	
D309 or	C-DIODE	1SS355	(1)	223269R2	
D310	C-DIODE	KDS4148U	1	223283R2	
D310 or	C-DIODE	1SS352	(1)	223234R2	
D310 or	C-DIODE	1SS355	(1)	223269R2	
D311	ZENER D	UDZS7.5B	1	224550750R2	
D312	ZENER D	UDZS7.5B	1	224550750R2	
D315	C-DIODE	KDS4148U	1	223283R2	
D315 or	C-DIODE	1SS352	(1)	223234R2	
D315 or	C-DIODE	1SS355	(1)	223269R2	
D320	C-DIODE	KDS4148U	1	223283R2	
D320 or	C-DIODE	1SS352	(1)	223234R2	
D320 or	C-DIODE	1SS355	(1)	223269R2	
D321	C-DIODE	KDS4148U	1	223283R2	
D321 or	C-DIODE	1SS352	(1)	223234R2	
D321 or	C-DIODE	1SS355	(1)	223269R2	
D322	DIODE	RL1N4003	1	22380260T	
D323	DIODE	RL1N4003	1	22380260T	
D324	DIODE	RL1N4003	1	22380260T	
D325	C-DIODE	KDS4148U	1	223283R2	
D325 or	C-DIODE	1SS352	(1)	223234R2	

D325 or	C-DIODE	1SS355	(1)	223269R2
D380	C-DIODE	S1NB60-4062	1	22380318R2
D501	ZENER D	UDZS5.6B	1	224550560R2
D502	ZENER D	UDZS5.6B	1	224550560R2
D503	C-DIODE	KDS4148U	1	223283R2
D503 or	C-DIODE	1SS352	(1)	223234R2
D503 or	C-DIODE	1SS355	(1)	223269R2
D504	C-DIODE	KDS4148U	1	223283R2
D504 or	C-DIODE	1SS352	(1)	223234R2
D504 or	C-DIODE	1SS355	(1)	223269R2
D505	C-DIODE	KDS4148U	1	223283R2
D505 or	C-DIODE	1SS352	(1)	223234R2
D505 or	C-DIODE	1SS355	(1)	223269R2
D506	C-DIODE	KDS4148U	1	223283R2
D506 or	C-DIODE	1SS352	(1)	223234R2
D506 or	C-DIODE	1SS355	(1)	223269R2
D510	C-DIODE	KDS4148U	1	223283R2
D510 or	C-DIODE	1SS352	(1)	223234R2
D510 or	C-DIODE	1SS355	(1)	223269R2
D511	C-DIODE	KDS4148U	1	223283R2
D511 or	C-DIODE	1SS352	(1)	223234R2
D511 or	C-DIODE	1SS355	(1)	223269R2
D512	ZENER D	UDZS3.3B	1	224550330R2
D513	ZENER D	UDZS3.3B	1	224550330R2
D514	ZENER D	UDZS6.8B	1	224550680R2
D521	C-DIODE	KDS4148U	1	223283R2
D521 or	C-DIODE	1SS352	(1)	223234R2
D521 or	C-DIODE	1SS355	(1)	223269R2
D901	C-DIODE	S1NB60-4062	1	22380318R2
D902	C-DIODE	KDS4148U	1	223283R2
D902 or	C-DIODE	1SS352	(1)	223234R2
D902 or	C-DIODE	1SS355	(1)	223269R2
D951	C-DIODE	S1NB60-4062	1	22380318R2
D952	C-DIODE	KDS4148U	1	223283R2
D952 or	C-DIODE	1SS352	(1)	223234R2
D952 or	C-DIODE	1SS355	(1)	223269R2
D953	C-DIODE	KDS4148U	1	223283R2
D953 or	C-DIODE	1SS352	(1)	223234R2

D953 or	C-DIODE	1SS355	(1)	223269R2
D954	ZENER D	UDZS5.1B	1	224550510R2
D955	C-DIODE	KDS4148U	1	223283R2
D955 or	C-DIODE	1SS352	(1)	223234R2
D955 or	C-DIODE	1SS355	(1)	223269R2
D956	DIODE	RL1N4003	1	22380260T
D957	DIODE	RL1N4003	1	22380260T
Q306	IC	78M12HF(NJM78M12FA)	1	222780125JRC
Q307	TR	RN1441	1	2215410R2
Q307 or	TR	RTAN430C-T112-1	(1)	2217780R2
Q308	TR	RN1441	1	2215410R2
Q308 or	TR	RTAN430C-T112-1	(1)	2217780R2
Q310	IC	NJM022M	1	22242790R2
Q311	IC	NJM022M	1	22242790R2
Q312	TR	KRC104S	1	2216210R2
Q312 or	TR	RN1404	(1)	2214490R2
Q312 or	TR	DTC144EE	(1)	2216390R2
Q313	TR	KRA104S	1	2217900R2
Q313 or	TR	RN2404(TE85L_F)	(1)	2214550R2
Q313 or	TR	DTA144EKA	(1)	2216940R2
Q314	TR	2SC2712-GR	1	2213145R2
Q314 or	TR	KTC3875-GR	(1)	2216175R2
Q330	TR	KRC104S	1	2216210R2
Q330 or	TR	RN1404	(1)	2214490R2
Q330 or	TR	DTC144EE	(1)	2216390R2
Q331	TR	KTA1266-GR	1	2215975T
Q332	PHT CP	PS2501AL-1	1	24120141R2
Q340	TR	KRC105S	1	2217290R2
Q4100	IC	LM61CIZ	1	22242212
Q4100A	RETAINER	(PTH)	1	27141884-1
Q501	TR	2SC3324-BL	1	2216826R2
Q502	TR	2SC3324-BL	1	2216826R2
Q503	TR	2SC3324-BL	1	2216826R2
Q504	TR	2SC3324-BL	1	2216826R2
Q505	TR	2SC3324-BL	1	2216826R2
Q506	TR	2SC3324-BL	1	2216826R2
Q507	TR	2SA949-Y(TPE6_F)	1	2211354T
Q507 or	TR	2SA949-O(TPE6_F)	(1)	2211353T

Q508	TR	2SA949-Y(TPE6_F)	1	2211354T	
Q508 or	TR	2SA949-O(TPE6_F)	(1)	2211353T	
Q509	TR	2SA949-Y(TPE6_F)	1	2211354T	
Q509 or	TR	2SA949-O(TPE6_F)	(1)	2211353T	
Q510	TR	2SA949-Y(TPE6_F)	1	2211354T	
Q510 or	TR	2SA949-O(TPE6_F)	(1)	2211353T	
Q511	TR	2SA949-Y(TPE6_F)	1	2211354T	
Q511 or	TR	2SA949-O(TPE6_F)	(1)	2211353T	
Q512	TR	2SA949-Y(TPE6_F)	1	2211354T	
Q512 or	TR	2SA949-O(TPE6_F)	(1)	2211353T	
Q513	TR	2SC2229-Y(TPE6_F)	1	2211634T	
Q513 or	TR	2SC2229-O(TPE6_F)	(1)	2211633T	
Q514	TR	2SC2229-Y(TPE6_F)	1	2211634T	
Q514 or	TR	2SC2229-O(TPE6_F)	(1)	2211633T	
Q515	TR	KTC3198-GR	1	2215985T	
Q516	TR	KTC3198-GR	1	2215985T	
Q517	TR	KTC3198-GR	1	2215985T	
Q518	TR	KTC3198-GR	1	2215985T	
Q519	TR	2SC2229-Y(TPE6_F)	1	2211634T	
Q519 or	TR	2SC2229-O(TPE6_F)	(1)	2211633T	
Q520	TR	2SC2229-Y(TPE6_F)	1	2211634T	
Q520 or	TR	2SC2229-O(TPE6_F)	(1)	2211633T	
Q521	TR	2SA949-Y(TPE6_F)	1	2211354T	
Q521 or	TR	2SA949-O(TPE6_F)	(1)	2211353T	
Q522	TR	2SA949-Y(TPE6_F)	1	2211354T	
Q522 or	TR	2SA949-O(TPE6_F)	(1)	2211353T	
Q531	TR	2SC2229-Y(TPE6_F)	1	2211634T	
Q531 or	TR	2SC2229-O(TPE6_F)	(1)	2211633T	
Q532	TR	2SC2229-Y(TPE6_F)	1	2211634T	
Q532 or	TR	2SC2229-O(TPE6_F)	(1)	2211633T	
Q533	TR	KTA1266-GR	1	2215975T	
Q534	TR	KTA1266-GR	1	2215975T	
Q550	TR	2SA1163-BL(TE85L_F)	1	2216756R2	
Q550 or	TR	KTA1517-GR	(1)	2216305R2	
Q550 or	TR	KTA1517-BL	(1)	2216306R2	
Q551	TR	2SA1163-BL(TE85L_F)	1	2216756R2	
Q551 or	TR	KTA1517-GR	(1)	2216305R2	
Q551 or	TR	KTA1517-BL	(1)	2216306R2	

Q552	TR	2SC2712-GR	1	2213145R2	
Q552 or	TR	KTC3875-GR	(1)	2216175R2	
Q553	TR	2SC2712-GR	1	2213145R2	
Q553 or	TR	KTC3875-GR	(1)	2216175R2	
Q561	TR	KRC105S	1	2217290R2	
Q561 or	TR	RN1405	(1)	2214500R2	
Q561 or	TR	DTC123JKA	(1)	2216690R2	
Q900	TR	KRC105S	1	2217290R2	
Q900 or	TR	RN1405	(1)	2214500R2	
Q900 or	TR	DTC123JKA	(1)	2216690R2	
Q951	IC	S-80127CNMC-JKM-T2	1	22241642R2	
Q952	TR	KRC105S	1	2217290R2	
Q952 or	TR	RN1405	(1)	2214500R2	
Q952 or	TR	DTC123JKA	(1)	2216690R2	
[TRANS COIL]					
L501	FR CORE	---	1	5597-45502	
L502	FR CORE	---	1	5597-45502	
L503	FR CORE	---	1	5597-45502	
L504	FR CORE	---	1	5597-45502	
L505	S COIL	SC-0.8X11.5X12.5T-6.5L	1	231393S	
L506	S COIL	SC-0.8X11.5X12.5T-6.5L	1	231393S	
T951	P TRANS	NPT-1520JQ	1	2301812A	!
[CAPACITOR]					
C310	UTSP C	CE04W50V-10M(UTSP)	1	397581007T	
C310 or	UTSP C	CE04W50V-10M(UTSP)	(1)	397581007AT	
C311	UTSP C	CE04W50V 47M(UTSP)	1	397584707T	
C311 or	UTSP C	CE04W50V 47M(UTSP)	(1)	397584707AT	
C312	UTSP C	CE04W50V 47M(UTSP)	1	397584707T	
C312 or	UTSP C	CE04W50V 47M(UTSP)	(1)	397584707AT	
C314	UTSP C	CE04W50V 47M(UTSP)	1	397584707T	
C314 or	UTSP C	CE04W50V 47M(UTSP)	(1)	397584707AT	
C316	UTSP C	CE04W25V-220M(UTSP)	1	397552217T	
C319	TF C	ECQ-V50V-104J	1	374721044T	
C320	UTSP C	CE04W50V-10M(UTSP)	1	397581007T	
C320 or	UTSP C	CE04W50V-10M(UTSP)	(1)	397581007AT	
C321	UTSP C	CE04W50V-10M(UTSP)	1	397581007T	
C321 or	UTSP C	CE04W50V-10M(UTSP)	(1)	397581007AT	
C322	UTSP C	CE04W50V-10M(UTSP)	1	397581007T	

C322 or	UTSP C	CE04W50V-10M(UTSP)	(1)	397581007AT
C323	UTSP C	CE04W50V-10M(UTSP)	1	397581007T
C323 or	UTSP C	CE04W50V-10M(UTSP)	(1)	397581007AT
C324	UTSP C	CE04W50V-10M(UTSP)	1	397581007T
C324 or	UTSP C	CE04W50V-10M(UTSP)	(1)	397581007AT
C325	UTSP C	CE04W10V-220M(UTSP)	1	397532217AT
C326	UTSP C	CE04W10V-220M(UTSP)	1	397532217AT
C327	C-CERA C	CK725F1E-104Z1	1	332161040R1
C328	C-CERA C	CK725F1E-104Z1	1	332161040R1
C329	TF C	ECQ-V50V-103J	1	374721034T
C344	TF C	ECQ-V50V-104J	1	374721044T
C374	UTSP C	CE04W50V 47M(UTSP)	1	397584707T
C374 or	UTSP C	CE04W50V 47M(UTSP)	(1)	397584707AT
C375	UPZ C	2AUPZTF221JE	1	376332214T
C376	UPZ C	2AUPZTF221JE	1	376332214T
C379	UTSP C	CE04W50V 47M(UTSP)	1	397584707T
C379 or	UTSP C	CE04W50V 47M(UTSP)	(1)	397584707AT
C384	TF C	ECQ-V50V-334J	1	374723344T
C385	TF C	ECQ-V50V-334J	1	374723344T
C386	UTSK C	CE04W50V-1000M(UTSK)	1	398381027S
C387	UTSK C	CE04W50V-1000M(UTSK)	1	398381027S
C388	UTSP C	CE04W50V-10M(UTSP)	1	397581007T
C388 or	UTSP C	CE04W50V-10M(UTSP)	(1)	397581007AT
C389	UPZ C	2AUPZTF221JE	1	376332214T
C390	UPZ C	2AUPZTF221JE	1	376332214T
C391	UTSP C	CE04W50V-10M(UTSP)	1	397581007T
C391 or	UTSP C	CE04W50V-10M(UTSP)	(1)	397581007AT
C398	C-CERA C	CK725B1H-103K1	1	332101035R1
C399	C-CERA C	CK725F1E-104Z1	1	332161040R1
C400	UTSP C	CE04W50V 47M(UTSP)	1	397584707T
C400 or	UTSP C	CE04W50V 47M(UTSP)	(1)	397584707AT
C401	TF C	ECQ-V50V-104J	1	374721044T
C4101	C-CERA C	CK725F1E-104Z1	1	332161040R1
C501	UTSP C	CE04W50V 47M(UTSP)	1	397584707T
C501 or	UTSP C	CE04W50V 47M(UTSP)	(1)	397584707AT
C502	UTSP C	CE04W50V 47M(UTSP)	1	397584707T
C502 or	UTSP C	CE04W50V 47M(UTSP)	(1)	397584707AT
C503	UPZ C	2AUPZTF331JE	1	376333314T

C504	UPZ C	2AUPZTF331JE	1	376333314T
C505	UTSP C	CE04W25V-220M(UTSP)	1	397552217T
C506	UTSP C	CE04W25V-220M(UTSP)	1	397552217T
C507	UTSP C	CE04W50V-22M(UTSP)	1	397582207T
C507 or	UTSP C	CE04W50V-22M(UTSP)	(1)	397582207AT
C508	UTSP C	CE04W50V-22M(UTSP)	1	397582207T
C508 or	UTSP C	CE04W50V-22M(UTSP)	(1)	397582207AT
C509	UTSP C	CE04W50V-22M(UTSP)	1	397582207T
C509 or	UTSP C	CE04W50V-22M(UTSP)	(1)	397582207AT
C510	UTSP C	CE04W50V-22M(UTSP)	1	397582207T
C510 or	UTSP C	CE04W50V-22M(UTSP)	(1)	397582207AT
C511	TF C	ECQ-V50V-103J	1	374721034T
C512	TF C	ECQ-V50V-103J	1	374721034T
C513	UTSP C	CE04W50V-10M(UTSP)	1	397581007T
C513 or	UTSP C	CE04W50V-10M(UTSP)	(1)	397581007AT
C514	UTSP C	CE04W50V-10M(UTSP)	1	397581007T
C514 or	UTSP C	CE04W50V-10M(UTSP)	(1)	397581007AT
C515	CERA C	CC45SL50V-040C	1	345020401T
C516	CERA C	CC45SL50V-040C	1	345020401T
C517	UPZ C	2AUPZTF101JE	1	376331014T
C518	UPZ C	2AUPZTF101JE	1	376331014T
C519	TF C	ECQ-V50V-103J	1	374721034T
C520	TF C	ECQ-V50V-103J	1	374721034T
C522	TF C	ECQ-V50V-473J	1	374724734T
C523	TF C	ECQ-V50V-473J	1	374724734T
C525	UTSP C	CE04W63V-100M(UTSP)	1	397571017T
C526	UTSP C	CE04W63V-100M(UTSP)	1	397571017T
C527	UTSP C	CE04W63V-100M(UTSP)	1	397571017T
C529	UTSP C	CE04W63V-100M(UTSP)	1	397571017T
C530	C-CERA C	CK725F1E-104Z1	1	332161040R1
C531	UTSP C	CE04W50V-100M(UTSP)	1	397581017T
C532	UTSP C	CE04W50V-1M(UTSP)	1	397580107T
C532 or	UTSP C	CE04W50V-1M(UTSP)	(1)	397580107AT
C533	UTSP C	CE04W50V-1M(UTSP)	1	397580107T
C533 or	UTSP C	CE04W50V-1M(UTSP)	(1)	397580107AT
C534	UTSP C	CE04W50V-1M(UTSP)	1	397580107T
C534 or	UTSP C	CE04W50V-1M(UTSP)	(1)	397580107AT
C535	UTSP C	CE04W50V-22M(UTSP)	1	397582207T

C535 or	UTSP C	CE04W50V-22M(UTSP)	(1)	397582207AT	
C536	UTSP C	CE04W50V-22M(UTSP)	1	397582207T	
C536 or	UTSP C	CE04W50V-22M(UTSP)	(1)	397582207AT	
C541	TF C	ECQ-V50V-104J	1	374721044T	
C542	TF C	ECQ-V50V-104J	1	374721044T	
C551	MKT C	B32529C0102J289	1	376491024T	
C552	TF C	ECQ-V50V-103J	1	374721034T	
C553	TF C	ECQ-V50V-103J	1	374721034T	
C559	TF C	ECQ-V50V-103J	1	374721034T	
C600	C-CERA C	CK725F1E-104Z1	1	332161040R1	
C900	TF C	ECQ-V50V-334J	1	374723344T	
C901	TF C	ECQ-V50V-334J	1	374723344T	
C903	UTSK C	CE04W25V-2200M(UTSK)	1	398352227S	
C904	TF C	ECQ-V50V-104J	1	374721044T	
C905	TF C	ECQ-V50V-334J	1	374723344T	
C906	TF C	ECQ-V50V-334J	1	374723344T	
C907	ELECT C	CE69W69V-10000MA	1	3504425	
C908	ELECT C	CE69W69V-10000MA	1	3504425	
C909	TF C	ECQ-V100V-103J	1	374731034T	
C910	TF C	ECQ-V100V-103J	1	374731034T	
C911	TF C	ECQ-V100V-103J	1	374731034T	
C912	TF C	ECQ-V100V-103J	1	374731034T	
C951	IS C	DE1310E472M-KH	1	3300054	!
C952	IS C	DE1E3KX102MB4BL01	1	3300066S	!
C952 or	PLA C	DE1E3KX102ME4BA01	(1)	3800043S	
C954	UTSK C	CE04W16V-1000M(UTSK)	1	398341027S	
C955	TF C	ECQ-V50V-104J	1	374721044T	
C956	UTSP C	CE04W50V-10M(UTSP)	1	397581007T	
C956 or	UTSP C	CE04W50V-10M(UTSP)	(1)	397581007AT	
C957	C-CERA C	CK725F1E-104Z1	1	332161040R1	
C958	C-CERA C	CK725F1E-104Z1	1	332161040R1	
C959	UTSP C	CE04W50V-100M(UTSP)	1	397581017T	
C960	UTSP C	CE04W50V-100M(UTSP)	1	397581017T	
C962	MKT C	B32529C0102J289	1	376491024T	
C970	TF C	ECQ-V50V-104J	1	374721044T	
C971	TF C	ECQ-V50V-104J	1	374721044T	
[RESISTOR]					
R300	C-CARBON R	RN72K1J-224JE	1	435032244R1	

R301	C-CARBON R	RN72K1J-224JE	1	435032244R1
R302	C-CARBON R	RN72K1J-271JE	1	435032714R1
R303	C-CARBON R	RN72K1J-271JE	1	435032714R1
R304	C-CARBON R	RN72K1J-101JE	1	435031014R1
R305	C-CARBON R	RN72K1J-101JE	1	435031014R1
R312	C-CARBON R	RN72K1J-224JE	1	435032244R1
R313	C-CARBON R	RN72K1J-224JE	1	435032244R1
R314	C-CARBON R	RN72K1J-102JE	1	435031024R1
R316	C-CARBON R	RN72K1J-824JE	1	435038244R1
R317	C-CARBON R	RN72K1J-393JE	1	435033934R1
R318	C-CARBON R	RN72K1J-684JE	1	435036844R1
R319	C-CARBON R	RN72K1J-000JE	1	435030004R1
R322	C-CARBON R	RN72K1J-224JE	1	435032244R1
R323	C-CARBON R	RN72K1J-224JE	1	435032244R1
R324	C-CARBON R	RN72K1J-000JE	1	435030004R1
R325	C-CARBON R	RN72K1J-000JE	1	435030004R1
R329	C-CARBON R	RN72K1J-000JE	1	435030004R1
R331	C-CARBON R	RN72K1J-271JE	1	435032714R1
R332	C-CARBON R	RN72K1J-271JE	1	435032714R1
R336	C-CARBON R	RN72K1J-000JE	1	435030004R1
R337	METAL O R	RS1WBJ-100	1	443621014T
R339	C-CARBON R	RN72K1J-000JE	1	435030004R1
R343	C-CARBON R	RN72K1J-220JE	1	435032204R1
R344	C-CARBON R	RN72K1J-224JE	1	435032244R1
R350	C-CARBON R	RN72K1J-562JE	1	435035624R1
R351	C-CARBON R	RN72K1J-562JE	1	435035624R1
R352	C-CARBON R	RN72K1J-104JE	1	435031044R1
R353	C-CARBON R	RN72K1J-104JE	1	435031044R1
R354	C-CARBON R	RN72K1J-181JE	1	435031814R1
R355	C-CARBON R	RN72K1J-181JE	1	435031814R1
R356	C-CARBON R	RN72K1J-154JE	1	435031544R1
R357	C-CARBON R	RN72K1J-154JE	1	435031544R1
R358	C-CARBON R	RN72K1J-220JE	1	435032204R1
R359	C-CARBON R	RN72K2E-102JE	1	435221024R1
R360	C-CARBON R	RN72K2E-102JE	1	435221024R1
R361	C-CARBON R	RN72K2E-221JE	1	435222214R1
R362	C-CARBON R	RN72K2E-471JE	1	435224714R1
R363	C-CARBON R	RN72K1J-000JE	1	435030004R1

R399	C-CARBON R	RN72K1J-103JE	1	435031034R1
R4000	VARI R	N09RGL10KB14F	1	5112484
R421	C-CARBON R	RN72K1J-331JE	1	435033314R1
R422	C-CARBON R	RN72K1J-331JE	1	435033314R1
R423	C-CARBON R	RN72K1J-104JE	1	435031044R1
R424	C-CARBON R	RN72K1J-104JE	1	435031044R1
R437	C-CARBON R	RN72K1J-331JE	1	435033314R1
R438	C-CARBON R	RN72K1J-331JE	1	435033314R1
R439	C-CARBON R	RN72K1J-224JE	1	435032244R1
R440	C-CARBON R	RN72K1J-224JE	1	435032244R1
R443	C-CARBON R	RN72K1J-470JE	1	435034704R1
R444	C-CARBON R	RN72K1J-333JE	1	435033334R1
R445	C-CARBON R	RN72K1J-470JE	1	435034704R1
R446	C-CARBON R	RN72K1J-103JE	1	435031034R1
R447	C-CARBON R	RN72K1J-103JE	1	435031034R1
R448	C-CARBON R	RN72K1J-332JE	1	435033324R1
R467	METAL R	RNU1WCJ-6.8	1	453630684T
R470	C-CARBON R	RN72K1J-333JE	1	435033334R1
R471	METAL O R	RS1/2WBJ-1K	1	443521024T
R473	C-CARBON R	RN72K1J-103JE	1	435031034R1
R474	C-CARBON R	RN72K1J-103JE	1	435031034R1
R501	CARBON R	R16J-4.7K	1	417344724T
R502	CARBON R	R16J-4.7K	1	417344724T
R503	CARBON R	R16J-56K	1	417345634T
R504	CARBON R	R16J-56K	1	417345634T
R505	CARBON R	R16J-330	1	417343314T
R506	CARBON R	R16J-330	1	417343314T
R507	CARBON R	R16J-220	1	417342214T
R508	CARBON R	R16J-220	1	417342214T
R509	CARBON R	R16J-220	1	417342214T
R510	CARBON R	R16J-220	1	417342214T
R511	CARBON R	R16J-6.8K	1	417346824T
R512	CARBON R	R16J-6.8K	1	417346824T
R513	CARBON R	R16J-120K	1	417341244T
R514	CARBON R	R16J-120K	1	417341244T
R515	CARBON R	R16J-1.8K	1	417341824T
R516	CARBON R	R16J-1.8K	1	417341824T
R517	CARBON R	R16J-1K	1	417341024T

R518	CARBON R	R16J-1K	1	417341024T
R519	CARBON R	R16J-1K	1	417341024T
R520	CARBON R	R16J-1K	1	417341024T
R521	METAL O R	RS1/2WBJ-82	1	443528204T
R522	METAL O R	RS1/2WBJ-82	1	443528204T
R523	METAL O R	RS1/2WBJ-82	1	443528204T
R524	METAL O R	RS1/2WBJ-82	1	443528204T
R525	METAL O R	RS1/2WBJ-82	1	443528204T
R526	METAL O R	RS1/2WBJ-82	1	443528204T
R527	METAL O R	RS1/2WBJ-82	1	443528204T
R528	METAL O R	RS1/2WBJ-82	1	443528204T
R529	METAL O R	RS1/2WBJ-47	1	443524704T
R530	METAL O R	RS1/2WBJ-47	1	443524704T
R531	CARBON R	R16J-18K	1	417341834T
R532	CARBON R	R16J-18K	1	417341834T
R533	CARBON R	R16J-120K	1	417341244T
R534	CARBON R	R16J-120K	1	417341244T
R535	CARBON R	R16J-18K	1	417341834T
R536	CARBON R	R16J-18K	1	417341834T
R537	CARBON R	R16J-100K	1	417341044T
R538	CARBON R	R16J-100K	1	417341044T
R539	CARBON R	R16J-10	1	417341004T
R540	CARBON R	R16J-10	1	417341004T
R541	CARBON R	R16J-10	1	417341004T
R542	CARBON R	R16J-10	1	417341004T
R543	METAL O R	RS1/2WBJ-68	1	443526804T
R544	METAL O R	RS1/2WBJ-68	1	443526804T
R545	C-CARBON R	RN72K1J-103JE	1	435031034R1
R546	C-CARBON R	RN72K1J-103JE	1	435031034R1
R547	METAL PR	MPR5W+5W 0R22	1	4000233
R548	METAL PR	MPR5W+5W 0R22	1	4000233
R551	CARBON R	R16J-33K	1	417343334T
R552	CARBON R	R16J-33K	1	417343334T
R553	C-CARBON R	RN72K1J-103JE	1	435031034R1
R554	C-CARBON R	RN72K1J-103JE	1	435031034R1
R555	C-CARBON R	RN72K1J-121JE	1	435031214R1
R556	C-CARBON R	RN72K1J-121JE	1	435031214R1
R561	CARBON R	R16J-1.8K	1	417341824T

R562	CARBON R	R16J-1.8K	1	417341824T
R563	CARBON R	R16J-100K	1	417341044T
R564	CARBON R	R16J-100K	1	417341044T
R569	METAL O R	RS1WBJ-220	1	443622214T
R571	METAL O R	RS1WBJ-470	1	443624714T
R572	C-CARBON R	RN72K1J-000JE	1	435030004R1
R575	C-CARBON R	RN72K1J-000JE	1	435030004R1
R577	C-CARBON R	RN72K1J-000JE	1	435030004R1
R579	C-CARBON R	RN72K1J-563JE	1	435035634R1
R580	C-CARBON R	RN72K1J-563JE	1	435035634R1
R581	CARBON R	R16J-4.7K	1	417344724T
R582	CARBON R	R16J-4.7K	1	417344724T
R583	C-CARBON R	RN72K1J-332JE	1	435033324R1
R584	C-CARBON R	RN72K1J-332JE	1	435033324R1
R585	C-CARBON R	RN72K1J-222JE	1	435032224R1
R586	C-CARBON R	RN72K1J-222JE	1	435032224R1
R587	TRIM R	N06HR1KBC	1	5210389T
R588	TRIM R	N06HR1KBC	1	5210389T
R589	C-CARBON R	RN72K1J-272JE	1	435032724R1
R590	C-CARBON R	RN72K1J-272JE	1	435032724R1
R591	NF CARBON R	R25J-10	1	415471004T
R592	NF CARBON R	R25J-10	1	415471004T
R593	NF CARBON R	R25J-120	1	415471214T
R594	NF CARBON R	R25J-120	1	415471214T
R595	NF CARBON R	R25J-120	1	415471214T
R596	NF CARBON R	R25J-120	1	415471214T
R597	NF CARBON R	R25J-15	1	415471504T
R598	NF CARBON R	R25J-15	1	415471504T
R599	NF CARBON R	R25J-15	1	415471504T
R600	NF CARBON R	R25J-15	1	415471504T
R601	NF CARBON R	R25J-2.2	1	415470224T
R602	NF CARBON R	R25J-2.2	1	415470224T
R603	NF CARBON R	R25J-2.2	1	415470224T
R604	NF CARBON R	R25J-2.2	1	415470224T
R606	C-CARBON R	RN72K1J-103JE	1	435031034R1
R607	C-CARBON R	RN72K2E-100JE	1	435221004R1
R608	C-CARBON R	RN72K2E-100JE	1	435221004R1
R609	C-CARBON R	RN72K1J-473JE	1	435034734R1

R610	C-CARBON R	RN72K1J-473JE	1	435034734R1
R611	C-CARBON R	RN72K1J-473JE	1	435034734R1
R612	C-CARBON R	RN72K1J-473JE	1	435034734R1
R613	METAL R	RNU1WCJ-8.2	1	453630824T
R614	METAL R	RNU1WCJ-8.2	1	453630824T
R615	C-CARBON R	RN72K1J-473JE	1	435034734R1
R617	METAL O R	RS1/2WBJ-15	1	443521504T
R618	METAL O R	RS1/2WBJ-15	1	443521504T
R619	METAL O R	RS1/2WBJ-15	1	443521504T
R620	METAL O R	RS1/2WBJ-15	1	443521504T
R625	C-CARBON R	RN72K1J-103JE	1	435031034R1
R626	C-CARBON R	RN72K1J-333JE	1	435033334R1
R628	C-CARBON R	RN72K1J-473JE	1	435034734R1
R629	C-CARBON R	RN72K1J-224JE	1	435032244R1
R630	C-CARBON R	RN72K1J-224JE	1	435032244R1
R631	C-CARBON R	RN72K1J-123JE	1	435031234R1
R632	C-CARBON R	RN72K1J-473JE	1	435034734R1
R640	CARBON R	R16J-22K	1	417342234T
R900	C-CARBON R	RN72K1J-221JE	1	435032214R1
R901	C-CARBON R	RN72K1J-221JE	1	435032214R1
R902	C-CARBON R	RN72K1J-221JE	1	435032214R1
R903	C-CARBON R	RN72K1J-221JE	1	435032214R1
R915	NF CARBON R	R25J-2.2	1	415470224T
R916	METAL O R	RS2WBJ-470	1	442724714F
R951	METAL O R	RS1/2WBJ-47	1	443524704T
R952	METAL O R	RS1/2WBJ-330	1	443523314T
R953	METAL O R	RS1/2WBJ-330	1	443523314T
R954	C-CARBON R	RN72K1J-393JE	1	435033934R1
R955	C-CARBON R	RN72K1J-273JE	1	435032734R1
R956	C-CARBON R	RN72K1J-562JE	1	435035624R1
R971	C-CARBON R	RN72K1J-223JE	1	435032234R1
R972	C-CARBON R	RN72K1J-223JE	1	435032234R1
R973	C-CARBON R	RN72K1J-223JE	1	435032234R1
R974	C-CARBON R	RN72K1J-223JE	1	435032234R1
R975	C-CARBON R	RN72K1J-223JE	1	435032234R1
R976	C-CARBON R	RN72K1J-223JE	1	435032234R1
R977	C-CARBON R	RN72K1J-223JE	1	435032234R1
R978	C-CARBON R	RN72K1J-223JE	1	435032234R1

R979	C-CARBON R	RN72K1J-223JE	1	435032234R1	
R980	C-CARBON R	RN72K1J-223JE	1	435032234R1	
R981	C-CARBON R	RN72K1J-223JE	1	435032234R1	
[SW TRM]					
F900A	FUSE HOL	NSCT-1P2031	1	25052133T	!
F900B	FUSE HOL	NSCT-1P2031	1	25052133T	!
F902A	FUSE HOL	NSCT-1P2031	1	25052133T	!
F902B	FUSE HOL	NSCT-1P2031	1	25052133T	!
F951A	FUSE HOL	NSCT-1P2031	1	25052133T	!
F951B	FUSE HOL	NSCT-1P2031	1	25052133T	!
JL402A	WIRE HOL	NSCT-7P898	1	25051111	
JL402B	WIRE HOL	NSCT-7P898	1	25051111	
JL505A	WIRE HOL	NSCT-3P874	1	25051087	
JL505B	WIRE HOL	NSCT-3P874	1	25051087	
JL943A	WIRE HOL	NSCT-9P900	1	25051113	
JL943B	WIRE HOL	NSCT-9P900	1	25051113	
P400A	SOCKET	NSCT-7P2187	1	25052290	
P400B	PLUG	NPLG-7P0962	1	25056012	
P412	PIN JACK	NPJ-2PDWR558	1	25045776	
P415	ST JACK	MSJ-035-52E-B-AG-PBT	1	25045947	
P423	PIN JACK	NPJ-2PDWR558	1	25045776	
P430B	TRM(SCREW)	NEJITANSI M3	1	25065425	
P431B	TRM(SCREW)	NEJITANSI M3	1	25065425	
P451	HOLDER	HOLDER(CLAMP)	1	27190540-1	
P453	HOLDER	HOLDER(CLAMP)	1	27190540-1	
P501	TRM	NTM-4PDMNRR420	1	25060492	
P511	PLUG	NPLG-2P29	1	25055038	
P512	PLUG	NPLG-2P29	1	25055038	
P520A	CRIMP AS	CRIMP AS	1	2069925200UL	
P701B	PLUG	NPLG-7P121	1	25055137	
P710B	SOCKET	NSCT-31P2124	1	25052227	
P901	CRIMP AS	CRIMP AS	1	2069925402UL	
P902B	CRIMP AS	UL1015#18SIN-SVH 400 BLK	1	20799197UL	
P903	CRIMP AS	CRIMP AS	1	2069925401UL	
P911	RETAINER	(BUS-BAR)	1	27142302	
P912	RETAINER	(BUS-BAR)	1	27142302	
P952	PLUG	NPLG-2P631	1	25055675	
P953	PLUG	NPLG-2P631	1	25055675	

P961	TRM-423(SCREW)	NEJITANSI ST3	1	25060495	
P962	TRM-423(SCREW)	NEJITANSI ST3	1	25060495	
RL300	RELAY	NRL-2P2A-DC12-178	1	25065664	
RL501	RELAY	NRL-2P5A-DC24-129	1	25065563A	
RL501 or	RELAY	NRL-2P8A-DC24-144	(1)	25065590	
RL501 or	RELAY	NRL-2P5A-DC24-193	(1)	25065703	
RL900	RELAY	NRL-1P10A-DC12-196	1	25065707	!
RL901	RELAY	NRL-1P10A-DC12-196	1	25065707	!
RL951	RELAY	NRL-1P5A-DC9-179	1	25065669	!
S951	SLIDE SW	NSS-23210	1	25065663	
S952	SLIDE SW	NSS-22203	1	25065581	
S953	SLIDE SW	NSS-22203	1	25065581	

U002

BADIS-1268-1G

CIRCUIT NO	PART NAME	DESCRIPTION	Q'TY	PART NO. (SN)	REMARKS
[SEMI CONDUCTOR]					
D7001	C-DIODE	KDS4148U	1	223283R2	
D7001 or	C-DIODE	1SS352	(1)	223234R2	
D7001 or	C-DIODE	1SS355	(1)	223269R2	
D7002	C-DIODE	KDS4148U	1	223283R2	
D7002 or	C-DIODE	1SS352	(1)	223234R2	
D7002 or	C-DIODE	1SS355	(1)	223269R2	
D7004	LED	SCB3318E-D2	1	225487	
D7004A	HOLDER	(LED-LH5-2)	1	27191336	
D7008	C-DIODE	KDS4148U	1	223283R2	
D7008 or	C-DIODE	1SS352	(1)	223234R2	
D7008 or	C-DIODE	1SS355	(1)	223269R2	
D7009	C-DIODE	KDS4148U	1	223283R2	
D7009 or	C-DIODE	1SS352	(1)	223234R2	
D7009 or	C-DIODE	1SS355	(1)	223269R2	
D7010	C-DIODE	KDS4148U	1	223283R2	
D7010 or	C-DIODE	1SS352	(1)	223234R2	
D7010 or	C-DIODE	1SS355	(1)	223269R2	
D7011	C-DIODE	KDS4148U	1	223283R2	

D7011 or	C-DIODE	1SS352	(1)	223234R2
D7011 or	C-DIODE	1SS355	(1)	223269R2
Q7001	IC	S-812C33AUA-C2N	1	22242222R2
Q7002	TR	KRA102S	1	2216220R2
Q7002 or	TR	RN2402	(1)	2214530R2
Q7002 or	TR	DTA114EKA	(1)	2217050R2
Q7004	IC	TA4805BF(TE16L_NQ)	1	22278005DBR2TO
Q7005	TR	KRC102S	1	2216190R2
Q7005 or	TR	RN1402	(1)	2214470R2
Q7005 or	TR	DTC114EKA	(1)	2216250R2
Q7006	IC (MAIN)	R5F212A7SNFA (0656)	1	222W0099R306560
Q7009	TR	KRC105S	1	2217290R2
Q7009 or	TR	RN1405	(1)	2214500R2
Q7009 or	TR	DTC123JKA	(1)	2216690R2
Q7015	IC	S-812C33AUA-C2N	1	22242222R2
Q7016	IC	R1EX24016ASAS0A	1	22242675R2
[TRANS COIL]				
L7001	CHOKE COIL	LBC2518T470M	1	231364M470R2
X7001	CERA LOCK	CSTLS16M0X51-A0	1	3010412T
[CAPACITOR]				
C7001	ELECT C	CE04W6.3V-220M	1	355722219T
C7002	C-CERA C	CC725CH1H-102J1	1	342101024R1
C7005	C-CERA C	CC725CH1H-102J1	1	342101024R1
C7007	C-CERA C	CK725F1E-104Z1	1	332161040R1
C7009	C-CERA C	CC725CH1H-102J1	1	342101024R1
C7010	C-CERA C	CK725F1E-104Z1	1	332161040R1
C7011	C-CERA C	CK725F1E-104Z1	1	332161040R1
C7012	C-CERA C	CK725F1E-104Z1	1	332161040R1
C7013	ELECT C	CE04W50V-22M	1	355782209T
C7014	ELECT C	CE04W16V-100M	1	355741019T
C7015	C-CERA C	CK725F1E-104Z1	1	332161040R1
C7021	C-CERA C	CK725F1E-104Z1	1	332161040R1
C7024	C-CERA C	CK725F1E-104Z1	1	332161040R1
C7025	C-CERA C	CC725CH1H-102J1	1	342101024R1
C7029	C-CERA C	CK725F1E-104Z1	1	332161040R1
C7030	ELECT C	CE04W16V-47M(S)	1	353744709T
C7036	C-CERA C	CC725CH1H-101J1	1	342101014R1
C7037	C-CERA C	CC725CH1H-101J1	1	342101014R1

C7039	C-CERA C	CC725CH1H-102J1	1	342101024R1
C7040	C-CERA C	CC725CH1H-102J1	1	342101024R1
C7041	C-CERA C	CK725F1E-104Z1	1	332161040R1
C7070	C-CERA C	CK725F1E-104Z1	1	332161040R1
C7071	C-CERA C	CC725CH1H-102J1	1	342101024R1
C7075	C-CERA C	CC725CH1H-102J1	1	342101024R1
C7076	C-CERA C	CC725CH1H-102J1	1	342101024R1
C7078	C-CERA C	CC725CH1H-102J1	1	342101024R1
C7079	C-CERA C	CK725F1E-104Z1	1	332161040R1
[RESISTOR]				
R7002	C-CARBON R	RN72K1J-102JE	1	435031024R1
R7003	C-CARBON R	RN72K1J-272JE	1	435032724R1
R7006	C-CARBON R	RN72K1J-224JE	1	435032244R1
R7008	C-CARBON R	RN72K1J-470JE	1	435034704R1
R7009	C-CARBON R	RN72K1J-470JE	1	435034704R1
R7011	C-CARBON R	RN72K1J-470JE	1	435034704R1
R7012	C-CARBON R	RN72K1J-470JE	1	435034704R1
R7014	C-CARBON R	RN72K1J-470JE	1	435034704R1
R7015	C-CARBON R	RN72K1J-470JE	1	435034704R1
R7016	C-CARBON R	RN72K1J-470JE	1	435034704R1
R7017	C-CARBON R	RN72K1J-102JE	1	435031024R1
R7019	C-CARBON R	RN72K1J-473JE	1	435034734R1
R7022	C-CARBON R	RN72K1J-473JE	1	435034734R1
R7024	C-CARBON R	RN72K1J-102JE	1	435031024R1
R7025	C-CARBON R	RN72K1J-102JE	1	435031024R1
R7028	C-CARBON R	RN72K1J-103JE	1	435031034R1
R7029	C-CARBON R	RN72K1J-473JE	1	435034734R1
R7035	C-CARBON R	RN72K1J-470JE	1	435034704R1
R7041	C-CARBON R	RN72K1J-470JE	1	435034704R1
R7042	C-CARBON R	RN72K1J-470JE	1	435034704R1
R7044	C-CARBON R	RN72K1J-221JE	1	435032214R1
R7045	C-CARBON R	RN72K1J-473JE	1	435034734R1
R7046	C-CARBON R	RN72K1J-470JE	1	435034704R1
R7047	C-CARBON R	RN72K1J-470JE	1	435034704R1
R7048	C-CARBON R	RN72K1J-470JE	1	435034704R1
R7049	C-CARBON R	RN72K1J-272JE	1	435032724R1
R7050	C-CARBON R	RN72K1J-470JE	1	435034704R1
R7051	C-CARBON R	RN72K1J-470JE	1	435034704R1

R7053	C-CARBON R	RN72K1J-470JE	1	435034704R1
R7054	C-CARBON R	RN72K1J-470JE	1	435034704R1
R7056	C-CARBON R	RN72K1J-470JE	1	435034704R1
R7060	C-CARBON R	RN72K1J-470JE	1	435034704R1
R7063	C-CARBON R	RN72K1J-103JE	1	435031034R1
R7070	C-CARBON R	RN72K1J-470JE	1	435034704R1
R7072	C-CARBON R	RN72K1J-470JE	1	435034704R1
R7077	C-CARBON R	RN72K1J-272JE	1	435032724R1
R7078	C-CARBON R	RN72K1J-272JE	1	435032724R1
R7079	C-CARBON R	RN72K1J-470JE	1	435034704R1
R7080	C-CARBON R	RN72K1J-470JE	1	435034704R1
R7082	C-CARBON R	RN72K1J-470JE	1	435034704R1
R7087	C-CARBON R	RN72K1J-470JE	1	435034704R1
R7088	C-CARBON R	RN72K1J-470JE	1	435034704R1
R7091	C-CARBON R	RN72K1J-473JE	1	435034734R1
R7092	C-CARBON R	RN72K1J-473JE	1	435034734R1
R7094	C-CARBON R	RN72K1J-473JE	1	435034734R1
R7095	C-CARBON R	RN72K1J-222JE	1	435032224R1
R7096	C-CARBON R	RN72K1J-222JE	1	435032224R1
R7140	C-CARBON R	RN72K1J-103JE	1	435031034R1
R7141	C-CARBON R	RN72K1J-473JE	1	435034734R1
R7144	C-CARBON R	RN72K1J-473JE	1	435034734R1
R7145	C-CARBON R	RN72K1J-473JE	1	435034734R1
R7146	C-CARBON R	RN72K1J-473JE	1	435034734R1
R7147	C-CARBON R	RN72K1J-473JE	1	435034734R1
R7148	C-CARBON R	RN72K1J-473JE	1	435034734R1
R7149	C-CARBON R	RN72K1J-473JE	1	435034734R1
R7150	C-CARBON R	RN72K1J-473JE	1	435034734R1
R7153	C-CARBON R	RN72K1J-473JE	1	435034734R1
R7155	C-CARBON R	RN72K1J-473JE	1	435034734R1
R7156	C-CARBON R	RN72K1J-473JE	1	435034734R1
R7157	C-CARBON R	RN72K1J-332JE	1	435033324R1
R7200	C-CARBON R	RN72K1J-000JE	1	435030004R1
R7201	C-CARBON R	RN72K1J-000JE	1	435030004R1
R7202	C-CARBON R	RN72K1J-000JE	1	435030004R1
R7203	C-CARBON R	RN72K1J-000JE	1	435030004R1
R7204	C-CARBON R	RN72K1J-000JE	1	435030004R1
R7205	C-CARBON R	RN72K1J-000JE	1	435030004R1

R7206	C-CARBON R	RN72K1J-000JE	1	435030004R1
R7207	C-CARBON R	RN72K1J-000JE	1	435030004R1
R7208	C-CARBON R	RN72K1J-000JE	1	435030004R1
R7209	C-CARBON R	RN72K1J-000JE	1	435030004R1
R7210	C-CARBON R	RN72K1J-000JE	1	435030004R1
R7211	C-CARBON R	RN72K1J-000JE	1	435030004R1
R7212	C-CARBON R	RN72K1J-000JE	1	435030004R1
R7213	C-CARBON R	RN72K1J-000JE	1	435030004R1
R7214	C-CARBON R	RN72K1J-000JE	1	435030004R1
R7215	C-CARBON R	RN72K1J-000JE	1	435030004R1
R7217	C-CARBON R	RN72K1J-000JE	1	435030004R1
R7219	C-CARBON R	RN72K1J-000JE	1	435030004R1
R7220	C-CARBON R	RN72K1J-000JE	1	435030004R1
R7221	C-CARBON R	RN72K1J-000JE	1	435030004R1
R7222	C-CARBON R	RN72K1J-000JE	1	435030004R1
R7223	C-CARBON R	RN72K1J-000JE	1	435030004R1
R7224	C-CARBON R	RN72K1J-000JE	1	435030004R1
R7225	C-CARBON R	RN72K1J-000JE	1	435030004R1
R7226	C-CARBON R	RN72K1J-000JE	1	435030004R1
R7227	C-CARBON R	RN72K1J-000JE	1	435030004R1
R7228	C-CARBON R	RN72K1J-000JE	1	435030004R1
R7229	C-CARBON R	RN72K1J-000JE	1	435030004R1
R7230	C-CARBON R	RN72K1J-000JE	1	435030004R1
R7232	C-CARBON R	RN72K1J-000JE	1	435030004R1
R7233	C-CARBON R	RN72K1J-000JE	1	435030004R1
R7234	C-CARBON R	RN72K1J-000JE	1	435030004R1
R7235	C-CARBON R	RN72K1J-000JE	1	435030004R1
R7236	C-CARBON R	RN72K1J-000JE	1	435030004R1
R7237	C-CARBON R	RN72K1J-000JE	1	435030004R1
R7241	C-CARBON R	RN72K1J-000JE	1	435030004R1
R7242	C-CARBON R	RN72K1J-000JE	1	435030004R1
R7244	C-CARBON R	RN72K1J-000JE	1	435030004R1
R7245	C-CARBON R	RN72K1J-000JE	1	435030004R1
R7246	C-CARBON R	RN72K1J-000JE	1	435030004R1
R7247	C-CARBON R	RN72K1J-000JE	1	435030004R1
R7248	C-CARBON R	RN72K1J-000JE	1	435030004R1
R7249	C-CARBON R	RN72K1J-000JE	1	435030004R1
R7250	C-CARBON R	RN72K1J-000JE	1	435030004R1

R7252	C-CARBON R	RN72K1J-000JE	1	435030004R1
R7253	C-CARBON R	RN72K1J-000JE	1	435030004R1
R7254	C-CARBON R	RN72K1J-000JE	1	435030004R1
R7255	C-CARBON R	RN72K1J-000JE	1	435030004R1
R7256	C-CARBON R	RN72K1J-000JE	1	435030004R1
R7257	C-CARBON R	RN72K1J-000JE	1	435030004R1
R7258	C-CARBON R	RN72K1J-000JE	1	435030004R1
R7259	C-CARBON R	RN72K1J-000JE	1	435030004R1
R7260	C-CARBON R	RN72K1J-000JE	1	435030004R1
R7261	C-CARBON R	RN72K1J-000JE	1	435030004R1
R7262	C-CARBON R	RN72K1J-000JE	1	435030004R1
R7263	C-CARBON R	RN72K1J-000JE	1	435030004R1
R7264	C-CARBON R	RN72K1J-000JE	1	435030004R1
R7265	C-CARBON R	RN72K1J-000JE	1	435030004R1
R7266	C-CARBON R	RN72K1J-000JE	1	435030004R1
R7267	C-CARBON R	RN72K1J-000JE	1	435030004R1
R7268	C-CARBON R	RN72K1J-000JE	1	435030004R1
R7269	C-CARBON R	RN72K1J-000JE	1	435030004R1
R7270	C-CARBON R	RN72K1J-000JE	1	435030004R1
R7271	C-CARBON R	RN72K1J-000JE	1	435030004R1
R7301	C-CARBON R	RN72K1J-000JE	1	435030004R1
R7302	C-CARBON R	RN72K1J-000JE	1	435030004R1
R7303	C-CARBON R	RN72K1J-000JE	1	435030004R1
R7304	C-CARBON R	RN72K1J-000JE	1	435030004R1
R7305	C-CARBON R	RN72K1J-000JE	1	435030004R1
R7306	C-CARBON R	RN72K1J-000JE	1	435030004R1
R7308	C-CARBON R	RN72K1J-000JE	1	435030004R1
R7309	C-CARBON R	RN72K1J-000JE	1	435030004R1
R7310	C-CARBON R	RN72K1J-000JE	1	435030004R1
R7311	C-CARBON R	RN72K1J-000JE	1	435030004R1
R7312	C-CARBON R	RN72K1J-000JE	1	435030004R1
R7313	C-CARBON R	RN72K1J-000JE	1	435030004R1
R7314	C-CARBON R	RN72K1J-000JE	1	435030004R1
R7315	C-CARBON R	RN72K1J-000JE	1	435030004R1
[SW TRM]				
E7004	RETAINER	(EARTH)	1	27142227
P7001A	SOCKET	NSCT-31P2161	1	25052264
P7003	SOCKET	NSCT-9P2243	1	25052346

P7011	SOCKET AS	NSAS-6P2069	1	200EE390625UL	N
P7013A	SOCKET AS	NSAS-14P2086	1	2004C391410UL	N
P7013B	PLUG	NPLG-7P354	1	25055371	
P7017A	SOCKET AS	NSAS-18P2085	1	2004C391810UL	N
P7017B	PLUG	NPLG-9P356	1	25055373	
P701A	SOCKET AS	NSAS-14P2052	1	2003B201415UL	N
S7002	PUSH SW	NPS-111-S681	1	25035718T	

ONKYO

Onkyo Corporation

Technical Support, Service Department
2-1, Nisshin-cho, Neyagawa-shi, OSAKA 572-8540, JAPAN
Tel: 072-831-8023 Fax: 072-831-8163

Onkyo U.S.A. Corporation

18 Park Way, Upper Saddle River, N.J. 07458, U.S.A.
Tel: 800-229-1687, 201-785-2600 Fax: 201-785-2650
<http://www.us.onkyo.com/>

Onkyo Europe Electronics GmbH

Liegnitzerstrasse 6, 82194 Groebenzell, GERMANY
Tel: +49-8142-4401-0 Fax: +49-8142-4208-213
<http://www.eu.onkyo.com/>

Onkyo Europe Electronics GmbH (UK Branch)

The Coach House 81A High Street, Marlow, Buckinghamshire, SL7 1AB, UK
Tel: +44-(0)1628-473-350 Fax: +44-(0)1628-401-700

Onkyo China Limited

Unit 1033, 10/F, Star House, No 3, Salisbury Road, Tsim Sha Tsui Kowloon, Hong Kong.
Tel: 852-2429-3118 Fax: 852-2428-9039
<http://www.onkyochina.com/>

Onkyo China PRC

1301, 555 Tower, No.555 West NanJin Road, Jin an, Shanghai,
China 200041, Tel: 86-21-52131366 Fax: 86-21-52130396
<http://www.cn.onkyo.com/>